

**P5P41D**

**Motherboard**

**ASUS®**

E4825

First Edition V1

July 2009

**Copyright © 2009 ASUSTeK Computer Inc. All Rights Reserved.**

No part of this manual, including the products and software described in it, may be reproduced, transmitted, transcribed, stored in a retrieval system, or translated into any language in any form or by any means, except documentation kept by the purchaser for backup purposes, without the express written permission of ASUSTeK Computer Inc. ("ASUS").

Product warranty or service will not be extended if: (1) the product is repaired, modified or altered, unless such repair, modification or alteration is authorized in writing by ASUS; or (2) the serial number of the product is defaced or missing.

ASUS PROVIDES THIS MANUAL "AS IS" WITHOUT WARRANTY OF ANY KIND, EITHER EXPRESS OR IMPLIED, INCLUDING BUT NOT LIMITED TO THE IMPLIED WARRANTIES OR CONDITIONS OF MERCHANTABILITY OR FITNESS FOR A PARTICULAR PURPOSE. IN NO EVENT SHALL ASUS, ITS DIRECTORS, OFFICERS, EMPLOYEES OR AGENTS BE LIABLE FOR ANY INDIRECT, SPECIAL, INCIDENTAL, OR CONSEQUENTIAL DAMAGES (INCLUDING DAMAGES FOR LOSS OF PROFITS, LOSS OF BUSINESS, LOSS OF USE OR DATA, INTERRUPTION OF BUSINESS AND THE LIKE), EVEN IF ASUS HAS BEEN ADVISED OF THE POSSIBILITY OF SUCH DAMAGES ARISING FROM ANY DEFECT OR ERROR IN THIS MANUAL OR PRODUCT.

SPECIFICATIONS AND INFORMATION CONTAINED IN THIS MANUAL ARE FURNISHED FOR INFORMATIONAL USE ONLY, AND ARE SUBJECT TO CHANGE AT ANY TIME WITHOUT NOTICE, AND SHOULD NOT BE CONSTRUED AS A COMMITMENT BY ASUS. ASUS ASSUMES NO RESPONSIBILITY OR LIABILITY FOR ANY ERRORS OR INACCURACIES THAT MAY APPEAR IN THIS MANUAL, INCLUDING THE PRODUCTS AND SOFTWARE DESCRIBED IN IT.

Products and corporate names appearing in this manual may or may not be registered trademarks or copyrights of their respective companies, and are used only for identification or explanation and to the owners' benefit, without intent to infringe.

# Contents

Notices.....	vi
Safety information .....	vii
About this guide .....	viii
P5P41D specifications summary .....	ix
<b>Chapter 1: Product introduction</b>	
<b>1.1 Welcome!</b> .....	<b>1-1</b>
<b>1.2 Package contents</b> .....	<b>1-1</b>
<b>1.3 Special features</b> .....	<b>1-1</b>
1.3.1 Product highlights .....	1-1
1.3.2 Innovative ASUS features .....	1-2
<b>1.4 Before you proceed</b> .....	<b>1-4</b>
<b>1.5 Motherboard overview</b> .....	<b>1-5</b>
1.5.1 Placement direction .....	1-5
1.5.2 Screw holes .....	1-5
1.5.3 Motherboard layout .....	1-6
1.5.4 Layout contents.....	1-6
<b>1.6 Central Processing Unit (CPU)</b> .....	<b>1-7</b>
1.6.1 Installing the CPU .....	1-7
1.6.2 Installing the CPU heatsink and fan .....	1-10
1.6.3 Uninstalling the CPU heatsink and fan .....	1-11
<b>1.7 System memory</b> .....	<b>1-12</b>
1.7.1 Overview .....	1-12
1.7.2 Memory configurations.....	1-13
1.7.3 Installing a DIMM .....	1-18
1.7.4 Removing a DIMM .....	1-18
<b>1.8 Expansion slots</b> .....	<b>1-19</b>
1.8.1 Installing an expansion card .....	1-19
1.8.2 Configuring an expansion card .....	1-19
1.8.3 PCI slots.....	1-19
1.8.4 PCI Express x1 slots.....	1-19
1.8.5 PCI Express x16 slot.....	1-19
<b>1.9 Jumpers</b> .....	<b>1-20</b>

# Contents

- 1.10 Connectors ..... 1-21**
  - 1.10.1 Rear panel connectors ..... 1-21
  - 1.10.2 Internal connectors ..... 1-22
- 1.11 Software support..... 1-28**
  - 1.11.1 Installing an operating system ..... 1-28
  - 1.11.2 Support DVD information ..... 1-28
- Chapter 2: BIOS information**
- 2.1 Managing and updating your BIOS ..... 2-1**
  - 2.1.1 ASUS Update utility ..... 2-1
  - 2.1.2 ASUS EZ Flash 2 utility..... 2-2
  - 2.1.3 ASUS CrashFree BIOS 3 utility ..... 2-3
- 2.2 BIOS setup program ..... 2-4**
  - 2.2.1 BIOS menu screen..... 2-5
  - 2.2.2 Menu bar ..... 2-5
  - 2.2.3 Navigation keys..... 2-6
  - 2.2.4 Menu items ..... 2-6
  - 2.2.5 Submenu items ..... 2-6
  - 2.2.6 Configuration fields ..... 2-6
  - 2.2.7 Pop-up window ..... 2-6
  - 2.2.8 Scroll bar..... 2-6
  - 2.2.9 General help ..... 2-6
- 2.3 Main menu ..... 2-7**
  - 2.3.1 System Time ..... 2-7
  - 2.3.2 System Date ..... 2-7
  - 2.3.3 Primary IDE Master/Slave and SATA 1-4..... 2-7
  - 2.3.4 Storage Configuration ..... 2-8
  - 2.3.5 System Information ..... 2-9
- 2.4 Advanced menu ..... 2-9**
  - 2.4.1 JumperFree Configuration ..... 2-9
  - 2.4.2 CPU Configuration ..... 2-11
  - 2.4.3 Chipset..... 2-12
  - 2.4.4 Onboard Devices Configuration ..... 2-13
  - 2.4.5 USB Configuration ..... 2-13
  - 2.4.6 PCI PnP ..... 2-14

# Contents

<b>2.5</b>	<b>Power menu</b> .....	<b>2-15</b>
2.5.1	Suspend Mode.....	2-15
2.5.2	ACPI 2.0 Support .....	2-15
2.5.3	ACPI APIC Support .....	2-15
2.5.4	APM Configuration.....	2-15
2.5.5	Hardware Monitor .....	2-16
<b>2.6</b>	<b>Boot menu</b> .....	<b>2-17</b>
2.6.1	Boot Device Priority .....	2-17
2.6.2	Boot Settings Configuration .....	2-17
2.6.3	Security .....	2-18
<b>2.7</b>	<b>Tools menu</b> .....	<b>2-19</b>
2.7.1	ASUS EZ Flash 2.....	2-19
2.7.2	Express Gate .....	2-19
2.7.3	AI NET 2.....	2-20
<b>2.8</b>	<b>Exit menu</b> .....	<b>2-20</b>

# Notices

## Federal Communications Commission Statement

This device complies with Part 15 of the FCC Rules. Operation is subject to the following two conditions:

- This device may not cause harmful interference, and
- This device must accept any interference received including interference that may cause undesired operation.

This equipment has been tested and found to comply with the limits for a Class B digital device, pursuant to Part 15 of the FCC Rules. These limits are designed to provide reasonable protection against harmful interference in a residential installation. This equipment generates, uses and can radiate radio frequency energy and, if not installed and used in accordance with manufacturer's instructions, may cause harmful interference to radio communications. However, there is no guarantee that interference will not occur in a particular installation. If this equipment does cause harmful interference to radio or television reception, which can be determined by turning the equipment off and on, the user is encouraged to try to correct the interference by one or more of the following measures:

- Reorient or relocate the receiving antenna.
- Increase the separation between the equipment and receiver.
- Connect the equipment to an outlet on a circuit different from that to which the receiver is connected.
- Consult the dealer or an experienced radio/TV technician for help.



---

The use of shielded cables for connection of the monitor to the graphics card is required to assure compliance with FCC regulations. Changes or modifications to this unit not expressly approved by the party responsible for compliance could void the user's authority to operate this equipment.

---

## Canadian Department of Communications Statement

This digital apparatus does not exceed the Class B limits for radio noise emissions from digital apparatus set out in the Radio Interference Regulations of the Canadian Department of Communications.

This class B digital apparatus complies with Canadian ICES-003.

## REACH

Complying with the REACH (Registration, Evaluation, Authorisation, and Restriction of Chemicals) regulatory framework, we published the chemical substances in our products at ASUS REACH website at <http://green.asus.com/english/REACH.htm>.



---

**DO NOT** throw the motherboard in municipal waste. This product has been designed to enable proper reuse of parts and recycling. This symbol of the crossed out wheeled bin indicates that the product (electrical and electronic equipment) should not be placed in municipal waste. Check local regulations for disposal of electronic products.

---



---

**DO NOT** throw the mercury-containing button cell battery in municipal waste. This symbol of the crossed out wheeled bin indicates that the battery should not be placed in municipal waste.

---

# Safety information

## Electrical safety

- To prevent electric shock hazard, disconnect the power cable from the electric outlet before relocating the system.
- When adding or removing devices to or from the system, ensure that the power cables for the devices are unplugged before the signal cables are connected. If possible, disconnect all power cables from the existing system before you add a device.
- Before connecting or removing signal cables from the motherboard, ensure that all power cables are unplugged.
- Seek professional assistance before using an adapter or extension cord. These devices could interrupt the grounding circuit.
- Ensure that your power supply is set to the correct voltage in your area. If you are not sure about the voltage of the electrical outlet you are using, contact your local power company.
- If the power supply is broken, do not try to fix it by yourself. Contact a qualified service technician or your retailer.
- The optical S/PDIF is an optional component (may or may not be included in your motherboard) and is defined as a CLASS 1 LASER PRODUCT.



---

INVISIBLE LASER RADIATION, AVOID EXPOSURE TO BEAM.

---

- Never dispose of the battery in fire. It could explode and release harmful substances into the environment.
- Never dispose of the battery with your regular household waste. Take it to a hazardous material collection point.
- Never replace the battery with an incorrect battery type.



- 
- RISK OF EXPLOSION IF BATTERY IS REPLACED BY AN INCORRECT TYPE.
  - DISPOSE OF USED BATTERIES ACCORDING TO THE ABOVE BATTERY-RELATED INSTRUCTIONS.
- 

## Operation safety

- Before installing the motherboard and adding devices on it, carefully read all the manuals that came with the package.
- Before using the product, ensure that all cables are correctly connected and the power cables are not damaged. If you detect any damage, contact your dealer immediately.
- To avoid short circuits, keep paper clips, screws, and staples away from connectors, slots, sockets and circuitry.
- Avoid dust, humidity, and temperature extremes. Do not place the product in any area where it may become wet.



---

This motherboard should only be used in environments with ambient temperatures between 5°C (14°F) and 40°C (104°F).

---

- Place the product on a stable surface.
- If you encounter technical problems with the product, contact a qualified service technician or your retailer.

# About this guide

This user guide contains the information you need when installing and configuring the motherboard.

## How this guide is organized

This guide contains the following parts:

- **Chapter 1: Product introduction**  
This chapter describes the features of the motherboard and the new technology it supports.
- **Chapter 2: BIOS information**  
This chapter tells how to change system settings through the BIOS Setup menus. Detailed descriptions of the BIOS parameters are also provided.

## Where to find more information

Refer to the following sources for additional information and for product and software updates.

### 1. ASUS websites

The ASUS website provides updated information on ASUS hardware and software products. Refer to the ASUS contact information.

### 2. Optional documentation

Your product package may include optional documentation, such as warranty flyers, that may have been added by your dealer. These documents are not part of the standard package.

## Conventions used in this guide

To make sure that you perform certain tasks properly, take note of the following symbols used throughout this manual.



**DANGER/WARNING:** Information to prevent injury to yourself when trying to complete a task.



**CAUTION:** Information to prevent damage to the components when trying to complete a task.



**IMPORTANT:** Instructions that you **MUST** follow to complete a task.



**NOTE:** Tips and additional information to help you complete a task.

## Typography

**Bold text**

Indicates a menu or an item to select.

*Italics*

Used to emphasize a word or a phrase.

<Key>

Keys enclosed in the less-than and greater-than sign means that you must press the enclosed key.

Example: <Enter> means that you must press the Enter or Return key.

<Key1>+<Key2>+<Key3>

If you must press two or more keys simultaneously, the key names are linked with a plus sign (+).

Example: <Ctrl>+<Alt>+<D>



## P5P41D specifications summary

<b>CPU</b>	LGA775 Socket for Intel® Core™2 Extreme /Core™2 Quad / Core™2 Duo / Pentium® dual-core / Celeron® dual-core / Celeron® processors Supports Intel® 45nm multi-core CPU Intel® Hyper-Threading Technology ready Supports Enhanced Intel SpeedStep Technology (EIST) * Refer to <a href="http://www.asus.com">www.asus.com</a> for Intel® CPU support list
<b>Chipset</b>	Northbridge: Intel® G41 Southbridge: Intel® ICH7
<b>System bus</b>	1333/1066/800MHz
<b>Memory</b>	Dual-channel memory architecture <ul style="list-style-type: none"> <li>- 4 x 240-pin DIMM sockets support unbuffered non-ECC DDR2 1066* (O.C.)/800/667MHz memory modules</li> <li>- Supports up to 8GB system memory</li> </ul> <p>* Only the blue slots support memory overclocking to 1066MHz ** Due to the chipset limitation, you can only use the DIMM slots under specific conditions. Refer to the table on page 1-13 for details. *** When you install a total memory of 4GB capacity or more, Windows® 32-bit operating system may only recognize less than 3GB. We recommend a maximum of 3GB system memory if you are using a Windows® 32-bit OS.</p>
<b>Expansion slots</b>	1 x PCIe x16 slot 2 x PCIe x1 slots 3 x PCI slots
<b>Storage</b>	Southbridge Intel® ICH7 supports: 4 x Serial ATA 3Gb/s connectors 1 x UltraDMA 100/66/33 connector
<b>LAN</b>	PCIe Gb LAN
<b>Audio</b>	ALC887 High Definition Audio 8-channel CODEC
<b>USB</b>	8 x USB 2.0/1.1 ports (4 ports at mid-board, 4 ports at back panel)
<b>ASUS Special features</b>	ASUS CrashFree BIOS 3 ASUS EZ Flash2 ASUS EPU-4 Engine ASUS Q-Fan ASUS AI NET2 ASUS MyLogo 2 ASUS Turbo Key ASUS Express Gate

*(continued on the next page)*

## P5P41D specifications summary

<b>Rear panel ports</b>	<ul style="list-style-type: none"> <li>1 x PS/2 keyboard port</li> <li>1 x PS/2 mouse port</li> <li>1 x LAN (RJ-45) port</li> <li>4 x USB 2.0/1.1 ports</li> <li>8-channel audio I/O port</li> <li>1 x Optical S/PDIF port</li> <li>1 x COM port</li> <li>1 x Parallel port</li> </ul>
<b>Internal connectors</b>	<ul style="list-style-type: none"> <li>1 x High Definition front panel audio connector</li> <li>1 x S/PDIF out connector</li> <li>1 x System panel connector</li> <li>2 x USB 2.0 connectors support additional 4 USB 2.0 ports</li> <li>1 x CPU fan connector</li> <li>1 x Chassis fan connector</li> <li>1 x IDE connector</li> <li>1 x 24-pin EATX Power connector</li> <li>1 x 4-pin ATX 12V Power connector</li> <li>4 x SATA connectors</li> </ul>
<b>BIOS features</b>	8 Mb Flash ROM, AMI BIOS, PnP, DMI v2.0, WfM2.0, SMBIOS v2.5, ACPI v2 0a
<b>Manageability</b>	WOL, PXE, WOR by Ring, PME Wake Up
<b>Accessories</b>	<ul style="list-style-type: none"> <li>1 x UltraDMA 100/66/33 cable</li> <li>2 x Serial ATA cables</li> <li>1 x I/O shield</li> <li>User Manual</li> </ul>
<b>Support DVD</b>	<ul style="list-style-type: none"> <li>Drivers</li> <li>ASUS Update</li> <li>ASUS PC Probe II</li> <li>Anti-virus software (OEM version)</li> </ul>
<b>Form factor</b>	ATX form factor: 12 in x8.2 in (30.5 cm x 20.8cm)

\*Specifications are subject to change without notice.

# Chapter 1

## Product introduction

### 1.1 Welcome!

Thank you for buying an ASUS® P5P41D motherboard!

The motherboard delivers a host of new features and latest technologies, making it another standout in the long line of ASUS quality motherboards!

Before you start installing the motherboard, and hardware devices on it, check the items in your package with the list below.

### 1.2 Package contents

Check your motherboard package for the following items.

<b>Motherboard</b>	ASUS P5P41D motherboard
<b>Cables</b>	2 x Serial ATA cables 1 x Ultra DMA 100/66/33 cable
<b>Accessories</b>	1 x I/O shield
<b>Application DVD</b>	ASUS motherboard support DVD
<b>Documentation</b>	User Manual



If any of the above items is damaged or missing, contact your retailer.

### 1.3 Special features

#### 1.3.1 Product highlights



#### Intel® Core™2 Extreme / Core™2 Quad / Core™2 Duo CPU support

This motherboard supports Intel® LGA775 Core™ 2 Extreme / Core™ 2 Quad/ Core™ 2 Duo processors, which are excellent for multitasking, multimedia, and enthusiastic gamers with 1333/ 1066/ 800 MHz FSB. This motherboard also supports Intel® CPUs in the 45nm manufacturing process.



### Intel® G41 Chipset

The Intel® G41 Express Chipset is designed to support dual-channel DDR2 1066 (overclocking)/800/667 architecture, 1333/1066/800 Front Side Bus (FSB), PCIe 1.1, and multi-core CPUs. It especially includes Intel® Fast memory bandwidth and reduces the latency of the memory accesses.



### DDR2 1066 (O.C.)/800/667 support

This motherboard supports DDR2 memory that features data transfer rates of 1066 (O.C.)/ 800/ 667 MHz providing great performance for 3D graphics and other memory-demanding applications.



### Serial ATA 3Gb/s technology

This motherboard supports hard drives based on the Serial ATA (SATA) 3Gb/s storage specifications, delivering enhanced scalability and doubling the bus bandwidth for high-speed data saving and retrieval.



### Gigabit LAN solution

The onboard LAN controller is a highly integrated Gb LAN controller. It is enhanced with an ACPI management function to provide efficient power management for advanced operating systems.



### High Definition Audio

The onboard 8-channel ALC887 High Definition Audio CODEC enables high-quality audio that automatically detects peripherals plugged into the audio I/O jacks. ALC887 also supports the Windows® Vista Premium OS.

## 1.3.2 Innovative ASUS features



### ASUS EPU

ASUS EPU (Energy Processing Unit) provides total system power management by detecting the current PC loading and intelligently moderating power in real-time. It automatically provides the most appropriate power usage to save power and money.



### Turbo Key

ASUS Turbo Key allows you to turn the PC power button into an overclocking button. After you easy setup, Turbo Key boosts performances without interrupting ongoing work or games, simply through pressing the button.



### ASUS Q-FAN

ASUS Q-FAN technology intelligently and automatically adjusts CPU fan speed according to system load and temperature, enabling users to work in distraction-free environment with minimal noise.



## ASUS Express Gate

Express Gate is a unique OS built into the motherboard. Five seconds after bootup, you can instantly surf the Internet without entering the Windows OS.



- ASUS Express Gate supports file uploading from SATA HDDs, ODDs, and USB drives. It supports file downloading to USB devices only.
- The actual boot time is subject to hardware configuration and product models.
- Express Gate complies with the OpenGL standard. Refer to <http://support.asus.com> for Express Gate source codes.



## ASUS MyLogo2™

This feature allows you to convert your favorite photo into a 256-color boot logo for a more colorful and vivid image on your screen.



## ASUS CrashFree BIOS 3

ASUS CrashFree BIOS 3 is an auto-recovery tool that allows you to restore a corrupted BIOS file using the bundled support DVD or USB flash disk that contains the latest BIOS file.



## ASUS EZ Flash 2

ASUS EZ Flash 2 is a utility that allows you to update the BIOS without using an OS-based utility.



## ASUS AI NET2

ASUS AI NET2 remotely detects the cable connection immediately after turning on the system, and any faulty cable connections are reported back up to 100 meters at 1 meter accuracy.



## C.P.R. (CPU Parameter Recall)

The BIOS C.P.R. feature automatically restores the CPU default settings when the system hangs due to overclocking failure. C.P.R. eliminates the need to open the system chassis and clear the RTC data. Simply shut down and reboot the system, and the BIOS automatically restores the CPU parameters to their default settings.



## Green ASUS

This motherboard and its packaging comply with the European Union's Restriction on the use of Hazardous Substances (RoHS). This is in line with the ASUS vision of creating environment-friendly and recyclable products/packaging to safeguard consumers' health while minimizing the impact on the environment.

## 1.4 Before you proceed

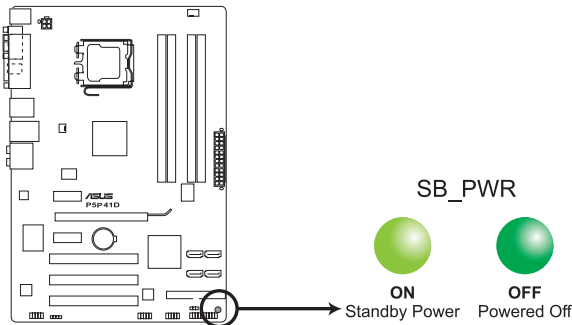
Take note of the following precautions before you install motherboard components or change any motherboard settings.



- Unplug the power cord from the wall socket before touching any component.
- Before handling components, use a grounded wrist strap or touch a safely grounded object or a metal object, such as the power supply case, to avoid damaging them due to static electricity.
- Hold components by the edges to avoid touching the ICs on them.
- Whenever you uninstall any component, place it on a grounded antistatic pad or in the bag that came with the component.
- Before you install or remove any component, ensure that the ATX power supply is switched off or the power cord is detached from the power supply. Failure to do so may cause severe damage to the motherboard, peripherals, or components.

### Onboard LED

The motherboard comes with a standby power LED that lights up to indicate that the system is ON, in sleep mode, or in soft-off mode. This is a reminder that you must shut down the system and unplug the power cable before removing or plugging in any motherboard component. The illustration below shows the location of the onboard LED.



**P5P41D Onboard LED**

## 1.5 Motherboard overview

Before you install the motherboard, study the configuration of your chassis to ensure that the motherboard fits into it.



Ensure that you unplug the power cord before installing or removing the motherboard. Failure to do so can cause you physical injury and damage motherboard components.

### 1.5.1 Placement direction

When installing the motherboard, ensure that you place it into the chassis in the correct orientation. The edge with external ports goes to the rear part of the chassis as indicated in the image below.

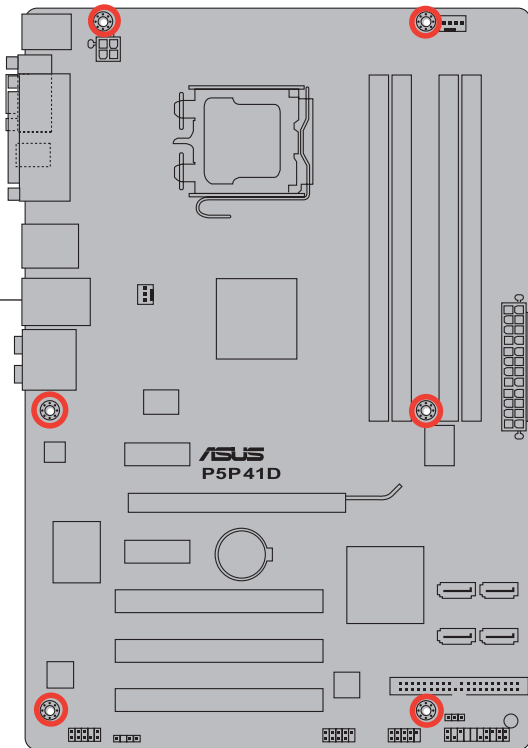
### 1.5.2 Screw holes

Place six screws into the holes indicated by circles to secure the motherboard to the chassis.

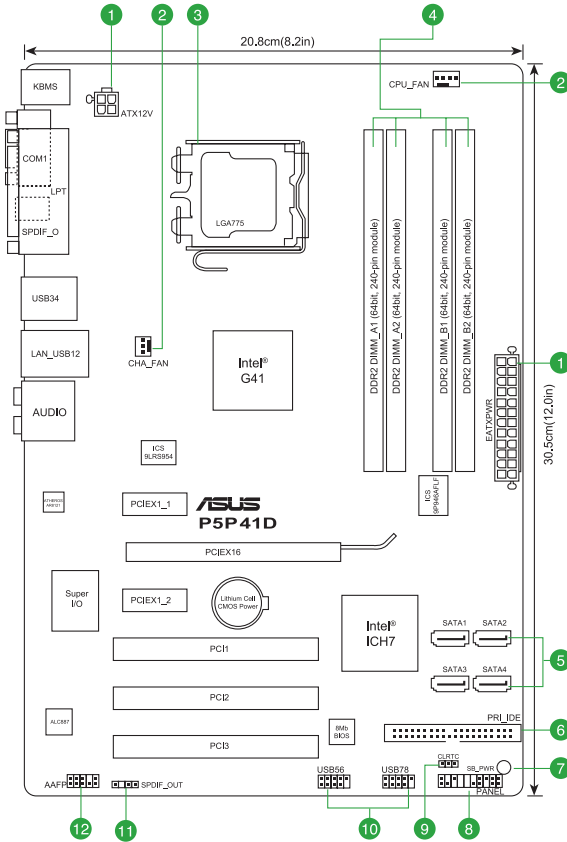


Do not overtighten the screws! Doing so can damage the motherboard.

Place this side towards the rear of the chassis



## 1.5.3 Motherboard layout



## 1.5.4 Layout contents

Connectors/Jumpers/Slots	Page	Connectors/Jumpers/Slots	Page
1. ATX power connectors (24-pin ATX12V)	1-23	7. Onboard LED	1-4
2. CPU and chassis fan connectors (4-pin CPU_FAN, 3-pin CHA_FAN)	1-22	8. System panel connector (20-8 pin PANEL)	1-26
3. Intel CPU socket	1-7	9. Clear RTC RAM (3-pin CLRTC)	1-20
4. DDR2 DIMM sockets	1-12	10. USB connectors (10-1 pin USB56, USB78)	1-27
5. Serial ATA connectors (7-pin SATA1-4)	1-24	11. Digital audio connector (4-1 pin SPDIF_OUT)	1-23
6. IDE connector (40-1 pin PRI_IDE)	1-25	12. Front panel audio connector (10-1 pin AAFP)	1-24



## 1.6 Central Processing Unit (CPU)

The motherboard comes with a surface mount LGA775 socket designed for the Intel® Core™2 Extreme / Core™2 Quad / Core™2 Duo / Pentium® dual-core / Celeron® dual-core / Celeron® processors



- Unplug all power cables before installing the CPU.
- Connect the CPU fan cable to the CPU\_FAN connector and chassis fan cable to the CHA\_FAN connector to ensure system stability.



- Upon purchase of the motherboard, ensure that the PnP cap is on the socket and the socket contacts are not bent. Contact your retailer immediately if the PnP cap is missing, or if you see any damage to the PnP cap/socket contacts/motherboard components. ASUS will shoulder the cost of repair only if the damage is shipment/transit-related.
- Keep the cap after installing the motherboard. ASUS will process Return Merchandise Authorization (RMA) requests only if the motherboard comes with the cap on the LGA775 socket.
- The product warranty does not cover damage to the socket contacts resulting from incorrect CPU installation/removal, or misplacement/loss/incorrect removal of the PnP cap.

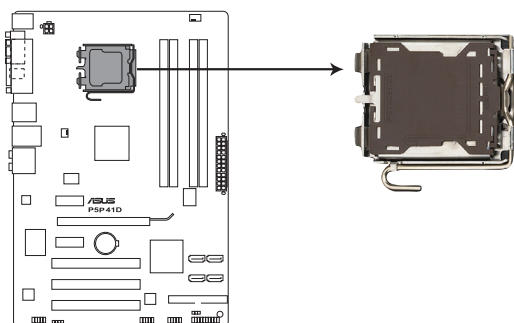


The motherboard supports Intel® LGA775 processors with the Intel® Enhanced Intel SpeedStep® Technology (EIST) and Hyper-Threading Technology.

### 1.6.1 Installing the CPU

To install a CPU:

1. Locate the CPU socket on the motherboard.



**P5P41D CPU socket 775**

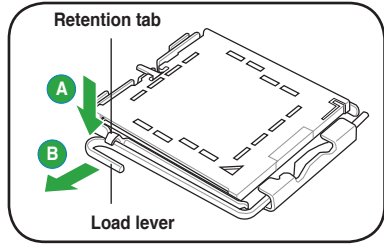


Before installing the CPU, ensure that the cam box is facing towards you and the load lever is on your left.

2. Press the load lever with your thumb (A), then move it to the left (B) until it is released from the retention tab.

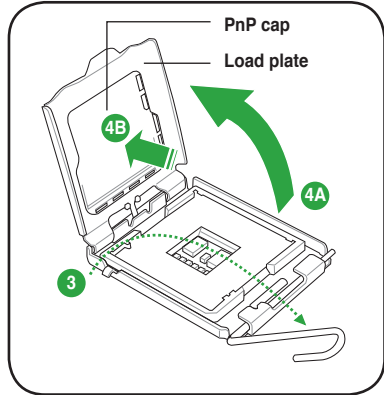


To prevent damage to the socket pins, do not remove the PnP cap unless you are installing a CPU.

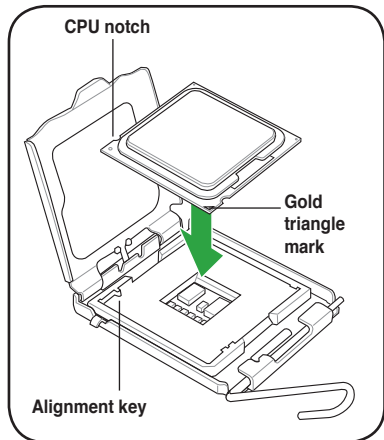


3. Lift the load lever in the direction of the arrow to a 135° angle.

4. Lift the load plate with your thumb and forefinger to a 100° angle (4A), then push the PnP cap from the load plate window to remove (4B).



5. Position the CPU over the socket, ensuring that the gold triangle is on the bottom-left corner of the socket then fit the socket alignment key into the CPU notch.



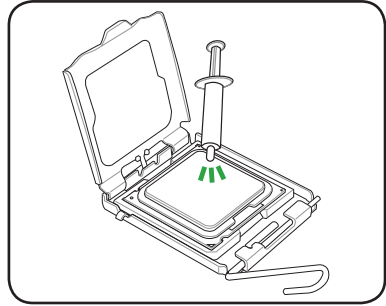
6. Apply some Thermal Interface Material to the exposed area of the CPU that the heatsink will be in contact with, ensuring that it is spread in an even thin layer.



---

Some heatsinks come with pre-applied thermal paste. If so, skip this step.

---



---

**DO NOT** eat the Thermal Interface Material. If it gets into your eyes or touches your skin, ensure that you wash it off immediately, and seek professional medical help.

---

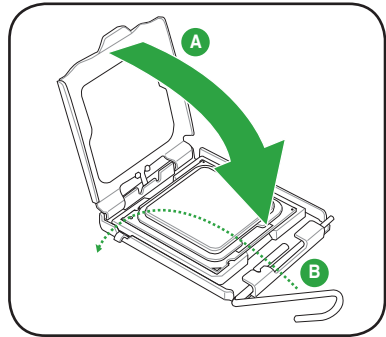


---

To prevent contaminating the paste, **DO NOT** spread the paste with your finger directly.

---

7. Close the load plate (A), then push the load lever (B) until it snaps into the retention tab.



## 1.6.2 Installing the CPU heatsink and fan

The Intel® LGA775 processor requires a specially designed heatsink and fan assembly to ensure optimum thermal condition and performance.



- When you buy a boxed Intel® processor, the package includes the CPU fan and heatsink assembly. If you buy a CPU separately, ensure that you use only Intel®-certified multi-directional heatsink and fan.
- Your Intel® LGA775 heatsink and fan assembly comes in a push-pin design and requires no tool to install.
- If you purchased a separate CPU heatsink and fan assembly, ensure that you have properly applied Thermal Interface Material to the CPU heatsink or CPU before you install the heatsink and fan assembly.



Ensure that you have installed the motherboard to the chassis before you install the CPU fan and heatsink assembly.

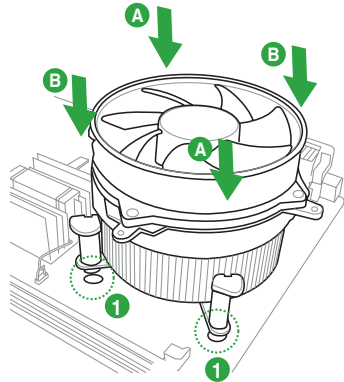
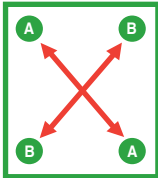
To install the CPU heatsink and fan:

1. Place the heatsink on top of the installed CPU, ensuring that the four fasteners match the holes on the motherboard.



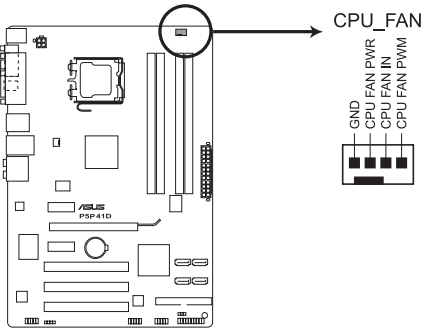
Orient the heatsink and fan assembly such that the CPU fan cable is closest to the CPU fan connector.

2. Push down two fasteners at a time in a diagonal sequence to secure the heatsink and fan assembly in place.



The type of CPU heatsink and fan assembly may differ, but the installation steps and functions should remain the same. The illustration above is for reference only.

3. Connect the CPU fan cable to the connector on the motherboard labeled CPU\_FAN.



### P5P41D CPU fan connector

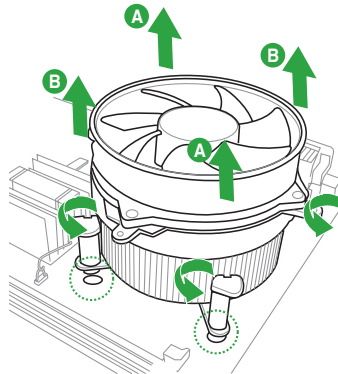
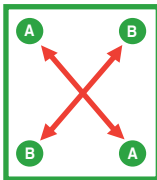


Do not forget to connect the CPU fan connector! Hardware monitoring errors can occur if you fail to plug this connector.

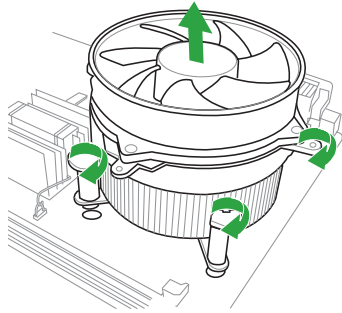
## 1.6.3 Uninstalling the CPU heatsink and fan

To uninstall the CPU heatsink and fan:

1. Disconnect the CPU fan cable from the connector on the motherboard.
2. Rotate each fastener counterclockwise.
3. Pull up two fasteners at a time in a diagonal sequence to disengage the heatsink and fan assembly from the motherboard.



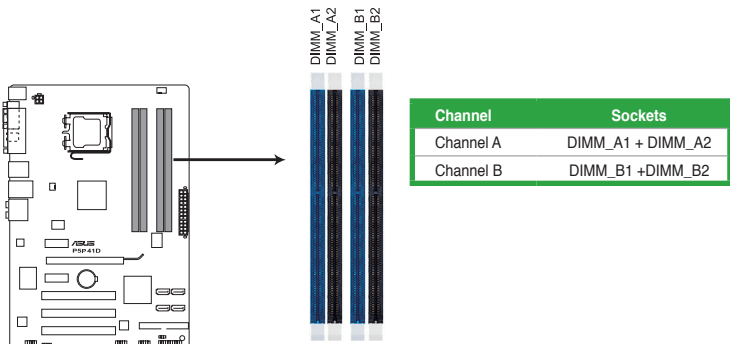
4. Carefully remove the heatsink and fan assembly from the motherboard.
5. Rotate each fastener clockwise to ensure correct orientation when reinstalling.



## 1.7 System memory

### 1.7.1 Overview

The motherboard comes with four Double Data Rate 2 (DDR2) Dual Inline Memory Modules (DIMM) sockets. The figure illustrates the location of the DDR2 DIMM sockets:



**P5P41D 240-pin DDR2 DIMM sockets**

## 1.7.2 Memory configurations

You may install 512MB, 1GB, and 2GB unbuffered non-ECC DDR2 DIMMs into the DIMM sockets.



- DDR2 1066 memory modules are only supported by DIMM\_A1 and DIMM\_A2.
- Always install DIMMs with the same CAS latency. For optimum compatibility, it is recommended that you obtain memory modules from the same vendor.
- Due to the memory address limitation on 32-bit Windows® OS, when you install 4GB or more memory on the motherboard, the actual usable memory for the OS can be about 3GB or less. For effective use of memory, we recommend that you do any of the following:
  - Use a maximum of 3GB system memory if you are using a 32-bit Windows® OS.
  - Install a 64-bit Windows® OS when you want to install 4GB or more memory on the motherboard.
- This motherboard does not support DIMMs made up of 256 megabits (Mb) chips or less.
- Due to chipset limitation, you can only use the DIMM slots under specific conditions. Refer to the table below for details.

Mode	DIMM_A1	DIMM_A2	DIMM_B1	DIMM_B2
One DIMM	DS/SS			
		DS/SS		
			DS/SS	DS/SS
Two DIMMs	DS/SS**		DS/SS**	
		DS/SS**		DS/SS**
	DS/SS			DS/SS
Three DIMMs	SS	SS	DS/SS	
	SS	SS		DS/SS
	DS/SS		SS	SS
Four DIMMs		DS/SS	SS	SS
	SS	SS	SS	SS

\* **DS**: Double-sided DIMM; **SS**: Single-sided DIMM

\*\* When using two DIMMs, we recommend that you insert the DIMMs in DIMM\_A1 and DIMM\_B1, or in DIMM\_A2 and DIMM\_B2.



- This motherboard supports up to 8 GB on Windows® XP Professional x64 and Windows® Vista x64 editions. You may install a maximum of 2GB DIMM on each slot.
- The default memory operation frequency is dependent on its Serial Presence Detect (SPD), which is the standard way of accessing information from a memory module. Under the default state, some memory modules for overclocking may operate at a lower frequency than the vendor-marked value.
- For system stability, use a more efficient cooling system to support a full memory load (2 DIMMs) or overclocking conditions.
- Some old-version DDR2-800 DIMMs may not match Intel®'s On-Die-Termination (ODT) requirement and will automatically downgrade to run at DDR2-667. If this happens, contact your memory vendor to check the ODT value.
- Due to chipset limitation, DDR2-800 with CL=4 will be downgraded to run at DDR2-667 by default setting. If you want to operate with lower latency, adjust the memory timing manually.

## P5P41D Motherboard Qualified Vendors Lists (QVL)

### DDR2-1066 MHz capability

Vendor	Part No.	Size	SS/ DS	Chip Brand	Chip No.	Timing Table (BIOS)	Voltage	DIMM Support		
								A*	B*	C*
Apacer	78.0AGBD.9L5	1024MB	SS	N/A	Heat-Sink Package	5-5-5-15				*
Corsair	CM2X1024-8500C5	1024MB	DS	Corsair	Heat-Sink Package					*
Corsair	CM2X2048-8500C5D	4096MB(kit of 2)	DS	N/A	Heat-Sink Package	5-5-5-15				*
Crucial	BL12864AA1065.8FE5	1024MB	SS	N/A	Heat-Sink Package					*
Crucial	CT25664AA1067.18FE1	2048MB	DS	Micron	9CE12 D9JKH	7-7-7-13				*
G.SKILL	F2-8500CL5S-1GBPK	1024MB	DS	N/A	Heat-Sink Package	5-5-5-15				*
G.SKILL	F2-8500CL5D-2GBPK	2048MB(Kit of 2)	DS	N/A	Heat-Sink Package	5-5-5-15				*
G.SKILL	F2-8500CL5D-4GBPK	4096MB(kit of 2)	DS	N/A	Heat-Sink Package	5-5-5-15				*
GEIL	GB24GB8500C5QC	1024MB	SS	GEIL	GL2L128M88BA25AB		5			*
GEIL	GE22GB1066C5DC	1024MB	SS	GEIL	Heat-Sink Package		5			*
GEIL	GE24GB1066C5QC	1024MB	SS	GEIL	Heat-Sink Package		5			*
GEIL	GB24GB8500C5DC	2048MB	DS	GEIL	GL2L128M88BA25AB		5			*
GEIL	GE24GB1066C5DC	2048MB	DS	GEIL	Heat-Sink Package		5			*
GEIL	GX24GB8500C5UDC	4096MB(kit of 2)	DS	N/A	Heat-Sink Package		5			*
kingmax	KLED48F-B8KU6-NGES	1024MB	SS	kingmax	KKB8FNUXF-DXX-18A	6-6-6-24	1.9V			*
kingmax	KLEE88F-B8KU6-NNAS	2048MB	DS	kingmax	KKB8FNUXF-DXX-18A	6-6-6-24	1.9V			*
Kingston	KHX8500D2K2/1GN(EPP)	1024MB(Kit of 2)	SS	Kingston	Heat-Sink Package	5-5-5-18	1.8V			*
Kingston	KHX8500D2/1G	1024MB	SS	N/A	Heat-Sink Package					*
Kingston	KHX8500D2K2/2G	1024MB	DS	N/A	Heat-Sink Package	5-5-5-15	2.2V			*
Kingston	KHX8500D2K2/2GN(EPP)	1024MB	DS	Kingston	Heat-Sink Package	5-5-5-18	1.8V			*
Kingston	KHX8500D2K2/4G	2048MB	DS	N/A	Heat-Sink Package	5-5-5-15	2.2V			*
Micron	MT16HTF25664AY-1GAE1	2048MB	DS	Micron	9CE12 D9JKH	7-7-7-13				*
OCZ	OCZ2N1066G2K(Epp)	2048MB(Kit of 2)	DS	N/A	Heat-Sink Package	5-5-5-15	21.V			*
OCZ	OCZ2F10664GK	4096MB(kit of 2)	DS	N/A	Heat-Sink Package	6-7-7-20	2.2V			*
PSC	AL8E8G73F-AE1	2048MB	DS	PSC	A3R1GE3FGF907 MATOFTAIWAN-G8E	5-5-5-12				*
Transcend	TX1066QLU-2GK	2048MB(Kit of 2)	SS	N/A	Heat-Sink Package		5			*
Transcend	TX1066QLU-4GK	4096MB(kit of 2)	DS	Transcend	Heat-Sink Package		5			*

### DDR2-800 MHz capability

Vendor	Part No.	Size	SS/ DS	Chip Brand	Chip No.	Timing Table (BIOS)	Voltage	DIMM Support		
								A*	B*	C*
A-Data	AD2800E001G0U	2048MB(Kit of 2)	SS	N/A	Heat-Sink Package	4-4-4-12	2.0-2.1V	*	*	*
A-Data	M2GV6DG314170Q1E58	1024MB	DS	VDATA	VD29608A8A-25EG80813			*	*	*
A-Data	AD2800002GMU	2048MB	DS	Hynix	Heat-Sink Package			*	*	*
A-Data	AD2800E002G0U	4096MB(Kit of 2)	DS	N/A	Heat-Sink Package	4-4-4-12	1.9-2.1V	*	*	*
Apacer	78.91G9L9K5	512MB	SS	Apacer	AM4B5708JQS8E0751C		5	*	*	*
Apacer	78.01GA0.9L5	1024MB	SS	Apacer	AM4B5808FEWS8E0909C		5	*	*	*
Corsair	CM2X1024-6400	1024MB	DS	Corsair	Heat-Sink Package			*	*	*
Corsair	XMS2-6400	1024MB	DS	Corsair	Heat-Sink Package		4	*	*	*
Corsair	XMS2-6400	1024MB	DS	Corsair	Heat-Sink Package		5	*	*	*
Corsair	CM2X2048-6400C5DHX	4096MB(Kit of 2)	DS	N/A	Heat-Sink Package		5	*	*	*
Corsair	CM2X2048-6400C5	4096MB(Kit of 2)	DS	N/A	Heat-Sink Package		5	*	*	*

(continued on the next page)



## DDR2-800 MHz capability

Vendor	Part No.	Size	SS/ DS	Chip Brand	Chip No.	Timing Table (BIOS)	Voltage	DIMM Support		
								A*	B*	C*
Crucial	BL12864AL80A.8FE5(EPP)	2048MB(kit of 2)	SS	N/A	Heat-Sink Package	4-4-4-12		*	*	*
Crucial	CT25664AA800.16FG	2048MB	DS	Micron	8ZG27 D9JWB	6-6-6-12		*	*	*
Crucial	BL25664AL80A.16FE5(EPP)	4096MB(kit of 2)	DS	N/A	Heat-Sink Package	4-4-4-12		*	*	*
Crucial	BL25664AR80A.16FE5(EPP)	4096MB(kit of 2)	DS	N/A	Heat-Sink Package	4-4-4-12		*	*	*
G.SKILL	F2-6400CL5D-1GBNQ	512MB	SS	G.SKILL	Heat-Sink Package SN:8151030036642	5-5-5-15		*	*	*
G.SKILL	F2-6400CL4D-2GBPK	1024MB	DS	G.SKILL	Heat-Sink Package	4		*	*	*
G.SKILL	F2-6400CL5D-2GBNQ	1024MB	DS	G.SKILL	Heat-Sink Package	5		*	*	*
G.SKILL	F2-6400CL4D-4GBPK	2048MB	DS	G.SKILL	Heat-Sink Package	4		*	*	*
G.SKILL	F2-6400CL5D-4GBPK	2048MB	DS	G.SKILL	Heat-Sink Package	5		*	*	*
G.SKILL	F2-6400CL6Q-16GMQ	4096MB	DS	N/A	Heat-Sink Package	5		*	*	*
GEIL	GB22GB6400C4DC	1024MB	DS	GEIL	GL2L64M088BA30EB	5		*	*	*
GEIL	GB22GB6400C5DC	1024MB	DS	GEIL	GL2L64M088BA30EB	5		*	*	*
GEIL	GB24GB6400C4QC	1024MB	DS	GEIL	GL2L64M088BA30EB	4		*	*	*
GEIL	GB24GB6400C5QC	1024MB	DS	GEIL	GL2L64M088BA30EB	5		*	*	*
GEIL	GE22GB800C4DC	1024MB	DS	GEIL	Heat-Sink Package	4		*	*	*
GEIL	GE22GB800C5DC	1024MB	DS	GEIL	Heat-Sink Package	5		*	*	*
GEIL	GE24GB800C4QC	1024MB	DS	GEIL	Heat-Sink Package	4		*	*	*
GEIL	GE24GB800C5QC	1024MB	DS	GEIL	Heat-Sink Package	5		*	*	*
GEIL	GX22GB6400DC	1024MB	DS	GEIL	Heat-Sink Package	5	1.8V	*	*	*
GEIL	GX22GB6400UDC	1024MB	DS	GEIL	Heat-Sink Package	4		*	*	*
GEIL	GB24GB6400C4DC	2048MB	DS	GEIL	Heat-Sink Package	5		*	*	*
GEIL	GB24GB6400C5DC	2048MB	DS	GEIL	GL2L128M88BA25AB	5		*	*	*
GEIL	GB28GB6400C4QC	2048MB	DS	GEIL	GL2L128M88BA25AB	4		*	*	*
GEIL	GB28GB6400C5QC	2048MB	DS	GEIL	GL2L128M88BA25AB	5		*	*	*
GEIL	GE24GB800C4DC	2048MB	DS	GEIL	Heat-Sink Package	4		*	*	*
GEIL	GE24GB800C5DC	2048MB	DS	GEIL	Heat-Sink Package	5		*	*	*
GEIL	GE28GB800C4QC	2048MB	DS	GEIL	Heat-Sink Package	4		*	*	*
GEIL	GE28GB800C5QC	2048MB	DS	GEIL	Heat-Sink Package	5		*	*	*
GEIL	GX22GB6400C4USC	2048MB	DS	GEIL	Heat-Sink Package	4		*	*	*
GEIL	GX22GB6400LX	2048MB	DS	GEIL	Heat-Sink Package	5		*	*	*
GEIL	GX24GB6400DC	2048MB	DS	GEIL	Heat-Sink Package	5		*	*	*
Kingmax	KLDD48F-B8KU5 NGES	1024MB	SS	Kingmax	KKB8FNUBF-DNX-25A			*	*	*
kingmax	KLDE88F-B8KU5 NHES	2048MB	DS	kingmax	KKB8FNUBF-DNX-25A			*	*	*
Kingston	KVR800D2N5/ 512(low profile)	512MB	SS	ELPIDA	E5108AJBG-8E-E		1.8V	*	*	*
Kingston	KVR800D2N6/ 512	512MB	SS	Elpida	E5108AJBG-8E-E	6		*	*	*
Kingston	KHX6400D2LLK2/1GN	1024M(Kit of 2)	SS	Kingston	Heat-Sink Package	4-4-4-12	2.0V	*	*	*
Kingston	KVR800D2N5/1G(low profile)	1024MB	SS	Elpida	E1108AEBG-8E-F	5	1.8V	*	*	*
Kingston	KVR800D2N6/1G(low profile)	1024MB	SS	Samsung	K4T1G084QE	6	1.8V	*	*	*
Kingston	KHX6400D2K2/2G	2048MB(Kit of 2)	DS	N/A	Heat-Sink Package	5-5-5-15	2.0V	*	*	*
Kingston	KVR800D2N5/2G(low profile)	2048MB	DS	Kingston	D1288TEFCGL25U	5	1.8V	*	*	*
Kingston	KVR800D2N6/2G(low profile)	2048MB	DS	Samsung	K4T1G084QE	6	1.8V	*	*	*
Kingston	KVR800D2N6/4G	4096MB	DS	Elpida	E2108ABSE-8G-E	6	1.8V	*	*	*
Micron	MT16HTF25664AY-800G1	2048MB	DS	Micron	8ZG27 D9JWB	6-6-6-12		*	*	*
OCZ	OCZ2G800R22GK	1024MB	DS	OCZ	Heat-Sink Package	4-5-5-15	2.0V	*	*	*
OCZ	OCZ2P800R22GK	1024MB	DS	OCZ	Heat-Sink Package	4-4-4-15	1.9 - 2.1 V	*	*	*

(continued on the next page)

## DDR2-800 MHz capability

Vendor	Part No.	Size	SS/ DS	Chip Brand	Chip No.	Timing Table (BIOS)	Voltage	DIMM Support		
								A*	B*	C*
OCZ	OCZ2RPR8002GK	1024MB	DS	OCZ	Heat-Sink Package	4-4-4-15	2.1V	*	*	*
OCZ	OCZ2VU8004GK	1024MB	DS	OCZ	Heat-Sink Package	5-6-6-18	1.8V	*	*	*
OCZ	OCZ2SE8002GK	2048MB(Kit of 2)	DS	N/A	Heat-Sink Package	5-5-5-15	1.8V	*	*	*
OCZ	OCZ2F8004GK(EPP)	2048MB	DS	N/A	Heat-Sink Package	5-4-4-18	2.1V	*	*	*
OCZ	OCZ2P8004GK	4096MB(Kit of 2)	DS	N/A	Heat-Sink Package	5-4-4-15	2.1V	*	*	*
PSC	AL7E8F73C-8E1	1024MB	SS	PSC	A3R1GE3CFF734MAA0E	5		*	*	*
PSC	AL7E8G73F-8E1	1024MB	SS	PSC	P3R1GE3FGF850MAC19			*	*	*
PSC	AL8E8F73C-8E1	2048MB	DS	PSC	A3R1GE3CFF734MAA0E	5		*	*	*
PSC	AL8E8G73F-8E1	2048MB	DS	PSC	P3R1GE3FGF850MAC19			*	*	*
PSC	PL8E8F73C-8E1	2048MB	DS	PSC	SHG772-AA3G	5		*	*	*
PSC	PL8E8G73E-8E1	2048MB	DS	PSC	XCP271A3G-A	5		*	*	*
SAMSUNG	M378T6553GZS-CF7	512MB	SS	Qimonda	K4T51083QG-HCF7	6		*	*	*
SAMSUNG	M378T2863EHS-CF7	1024MB	SS	Samsung	K4T1G084QE			*	*	*
SAMSUNG	M378T2863QZS-CF7	1024MB	SS	Qimonda	K4T1G084QQ-HCF7	6		*	*	*
SAMSUNG	M378T2953GZ3-CF7	1024MB	DS	Samsung	K4T51083QG			*	*	*
SAMSUNG	M378T2953GZ3-CF7	1024MB	DS	Samsung	K4T51083QG-HCF7	6		*	*	*
SAMSUNG	M37875663QZ3-CF7	2048MB	DS	Samsung	K4T1G084QQ-HCF7	6		*	*	*
SAMSUNG	M378T5263AZ3-CF7	4096MB	DS	Samsung	K4T2G084QA-HCF7			*	*	*
Super Talent	T800UB1G4	1024MB	DS	Super Talent	Heat-Sink Package	4	1.8V	*	*	*
Transcend	TS84MLQ64V8J	512MB	SS	Micron	7HD22 D9GMH	5		*	*	*
Transcend	JM800QLU-1G	1024MB	SS	Transced	TQ1243PCF8	5		*	*	*
Transcend	TS128MLQ64V8U	1024MB	SS	ELPIDA	E1108ACBG-8E-E	5		*	*	*
Transcend	JM800QLJ-1G	1024MB	DS	Transced	TQ123PJF8F0801	5		*	*	*
Transcend	JM800QLJ-1G	1024MB	DS	Transced	TQ123YBF8 T0747	5		*	*	*
Transcend	TS128MLQ64V8J	1024MB	DS	Micron	7HD22D9GMH	5		*	*	*
Transcend	JM800QLU-2G	2048MB	DS	Transced	TQ243PCF8	5		*	*	*
Transcend	TS256MLQ64V8U	2048MB	DS	Elpida	E1108ACBG-8E-E	5		*	*	*

## DDR2-667 MHz capability

Vendor	Part No.	Size	SS/ DS	Chip Brand	Chip No.	Timing Table (BIOS)	Voltage	DIMM Support		
								A*	B*	C*
A-Data	M2OAD5H3J417011C53	2048MB	DS	ADATA	AD20908A8A-3EG 30724			*	*	*
Apacer	78.91G92.9K5	512MB	SS	Apacer	AM4B5708QJJS7E0751C	5		*	*	*
Apacer	AU 512E667C5KBGC	512MB	SS	Apacer	AM4B5708QJJS7E06332F	5		*	*	*
Apacer	AU 512E667C5KBGC	512MB	SS	Apacer	AM4B5708MJS7E0627B	5		*	*	*
Apacer	78.01G90.9K5	1024MB	SS	Apacer	AM4B5808CQJS7E0751C	5		*	*	*
Apacer	AU01GE667C5KBGC	1024MB	DS	Apacer	AM4B5708GQJS7E0636B			*	*	*
Apacer	AU01GE667C5KBGC	1024MB	DS	Apacer	AM4B5708MJS7E0627B	5		*	*	*
Apacer	78.A1G90.9K4	2048MB	DS	Apacer	AM4B5808CQJS7E0749B	5		*	*	*
Corsair	VS 512MB667D2	512MB	DS	Corsair	MIII0052532M8CEC			*	*	*
Corsair	VS1GB667D2	1024MB	DS	Corsair	MID095D62864M8CEC			*	*	*
Corsair	XMS2-5400	1024MB	DS	Corsair	Heat-Sink Package	4		*	*	*
G.SKILL	F2-5400PHU2-2GBNT	2048MB(Kit of 2)	DS	G.SKILL	D2 64M8CFC 0815 C7173S	5-5-5-15		*	*	*

continued on the next page

## DDR2-667 MHz capability

Vendor	Part No.	Size	SS/ DS	Chip Brand	Chip No.	Timing Label (BIOS)	Voltage	DIMM Support		
								A*	B*	C*
G.SKILL	F2-5300CL5D-4GBMQ	4096MB(Kit of 2)	DS	G.SKILL	Heat-Sink Package SN:8151030036559	5-5-5-15		•	•	
GEIL	GX21GB5300SX	1024MB	DS	GEIL	Heat-Sink Package	3		•	•	
GEIL	GX22GB5300LX	2048MB	DS	GEIL	Heat-Sink Package	5		•	•	
GEIL	GX24GB5300LDC	2048MB	DS	GEIL	Heat-Sink Package	5		•	•	
Kingston	KVR667D2N5/ 512(low profile)	512MB	SS	Elpida	E5108AJBG-6E-E	5	1.8V	•	•	•
Kingston	KVR667D2N5/1G(low profile)	1024MB	SS	Elpida	E1108AEBG-8E-F		1.8V	•	•	•
Kingston	KVR667D2N5/1G(low profile)	1024MB	DS	Elpida	E5108AJBG-8E-E	5	1.8V	•	•	•
Kingston	KVR667D2N5/2G(low profile)	2048MB	DS	Elpida	E1108ACBG-8E-E	5	1.8V	•	•	
Micron	MT8HTF12864AY-667E1	1024MB	SS	Micron	D9HNL 7ZE17	5		•	•	
PSC	AL6E8E63J-6E1	512MB	SS	PSC	A3R12E3JFF717B9A00	5		•	•	•
PSC	AL7E8F73C-6E1	1024MB	SS	PSC	A3R1GE3CFF734MAA0J	5		•	•	•
PSC	AL6E8E63J-6E1	1024MB	DS	PSC	A3R12E3JFF717B9A01	5		•	•	•
PSC	AL8E8F73C-6E1	2048MB	DS	PSC	A3R1GE3CFF733MAA00	5		•	•	
SAMSUNG	M378T5263AZ3-CE6	4096MB	DS	Samsung	K4T2G084QA-HCE6				•	•
Super Talent	T667UB1GV	1024MB	DS	Super Talent	PG 64M8-800 0750	5	1.8V	•	•	
Transcend	JM667QLU-1G	1024MB	SS	Transced	TQ243PCF8T0838	5		•	•	
Transcend	JM667QLJ-1G	1024MB	DS	Elpida	E5108AJBG-6E-E	5		•	•	
Transcend	JM667QLU-2G	2048MB	DS	Transced	TQ243PCF8T0834	5		•	•	•
Twinmos	8D-A3JK5MPETP	512MB	SS	PSC	A3R12E3GEF633ACA0Y	5		•	•	•



### SS - Single-sided / DS - Double - sided

#### DIMM support:

- **A\***: Supports one module inserted into any slot as Single-channel memory configuration.
- **B\***: Supports one pair of modules inserted into either the blue or black slots as one pair of Dual-channel memory configuration
- **C\***: Supports four modules inserted into both the blue slots and the black slots as two pairs of Dual-channel memory configuration.



Visit the ASUS website at [www.asus.com](http://www.asus.com) for the latest QVL.

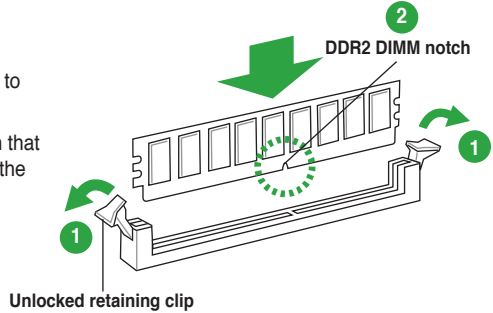
### 1.7.3 Installing a DIMM



Unplug the power supply before adding or removing DIMMs or other system components. Failure to do so can cause severe damage to both the motherboard and the components.

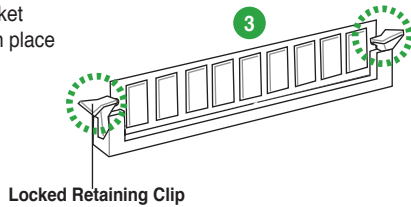
To install a DIMM:

1. Press the retaining clips outward to unlock a DDR2 DIMM socket.
2. Align a DIMM on the socket such that the notch on the DIMM matches the break on the socket.



A DDR2 DIMM is keyed with a notch so that it fits in only one direction. DO NOT force a DIMM into a socket to avoid damaging the DIMM.

3. Firmly insert the DIMM into the socket until the retaining clips snap back in place and the DIMM is properly seated.



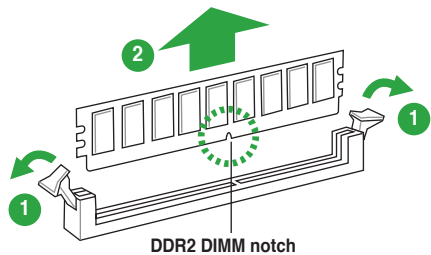
### 1.7.4 Removing a DIMM

To remove a DIMM:

1. Simultaneously press the retaining clips outward to unlock the DIMM.



Support the DIMM lightly with your fingers when pressing the retaining clips. The DIMM might get damaged when it flips out with extra force.



2. Remove the DIMM from the socket.

## 1.8 Expansion slots

In the future, you may need to install expansion cards. The following sub-sections describe the slots and the expansion cards that they support.



---

Unplug the power cord before adding or removing expansion cards. Failure to do so may cause you physical injury and damage motherboard components.

---

### 1.8.1 Installing an expansion card

To install an expansion card:

1. Before installing the expansion card, read the documentation that came with it and make the necessary hardware settings for the card.
2. Remove the system unit cover (if your motherboard is already installed in a chassis).
3. Remove the bracket opposite the slot that you intend to use. Keep the screw for later use.
4. Align the card connector with the slot and press firmly until the card is completely seated on the slot.
5. Secure the card to the chassis with the screw you removed earlier.
6. Replace the system cover.

### 1.8.2 Configuring an expansion card

After installing the expansion card, configure it by adjusting the software settings.

1. Turn on the system and change the necessary BIOS settings, if any. See Chapter 2 for information on BIOS setup.
2. Assign an IRQ to the card.
3. Install the software drivers for the expansion card.



---

When using PCI cards on shared slots, ensure that the drivers support "Share IRQ" or that the cards do not need IRQ assignments. Otherwise, conflicts will arise between the two PCI groups, making the system unstable and the card inoperable.

---

### 1.8.3 PCI slots

The PCI slots support cards such as a LAN card, SCSI card, USB card, and other cards that comply with PCI specifications.

### 1.8.4 PCI Express x1 slots

This motherboard supports PCI Express x1 network cards, SCSI cards, and other cards that comply with the PCI Express specifications.

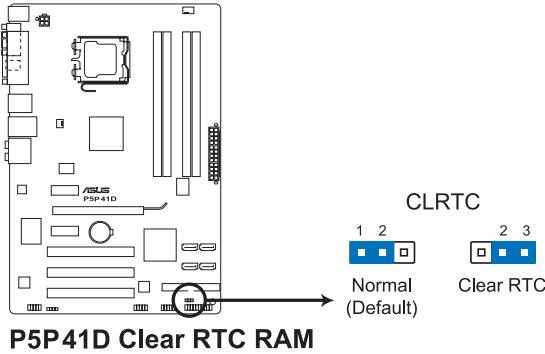
### 1.8.5 PCI Express x16 slot

This motherboard supports a PCI Express x16 graphics card that complies with the PCI Express specifications.

# 1.9 Jumpers

## 1. Clear RTC RAM (3-pin CLRTC)

This jumper allows you to clear the Real Time Clock (RTC) RAM in CMOS. You can clear the CMOS memory of date, time, and system setup parameters by erasing the CMOS RTC RAM data. The onboard button cell battery powers the RAM data in CMOS, which include system setup information such as system passwords.



To erase the RTC RAM:

1. Turn OFF the computer and unplug the power cord.
2. Move the jumper cap from pins 1-2 (default) to pins 2-3. Keep the cap on pins 2-3 for about 5-10 seconds, then move the cap back to pins 1-2.
3. Plug the power cord and turn ON the computer.
4. Hold down the **<Del>** key during the boot process and enter BIOS setup to re-enter data.



---

Except when clearing the RTC RAM, never remove the cap on CLRTC jumper default position. Removing the cap will cause system boot failure!

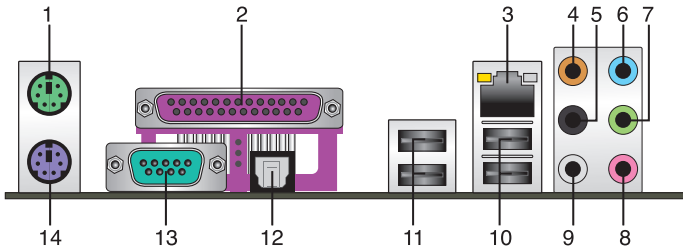
---



- If the steps above do not help, remove the onboard battery and move the jumper again to clear the CMOS RTC RAM data. After the CMOS clearance, reinstall the battery.
  - You do not need to clear the RTC when the system hangs due to overclocking. For system failure due to overclocking, use the CPU Parameter Recall (C.P.R.) feature. Shut down and reboot the system, then the BIOS automatically resets parameter settings to default values.
  - Due to the chipset limitation, AC power off is required before you use the C.P.R. function. You must turn off and on the power supply or unplug and plug the power cord before rebooting the system.
-

# 1.10 Connectors

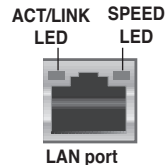
## 1.10.1 Rear panel connectors



1. **PS/2 mouse port (green).** This port is for a PS/2 mouse.
2. **Parallel port.** This 25-pin port connects a parallel printer, a scanner, or other devices.
3. **LAN (RJ-45) port.** This port allows Gigabit connection to a Local Area Network (LAN) through a network hub. Refer to the table below for the LAN port LED indications.

### LAN port LED indications

ACT/LINK LED		SPEED LED	
Status	Description	Status	Description
OFF	No link	OFF	10 Mbps connection
ORANGE	Linked	ORANGE	100 Mbps connection
BLINKING	Data activity	GREEN	1 Gbps connection



4. **Center / Subwoofer port (orange).** This port connects the center/subwoofer speakers.
5. **Rear Speaker Out port (black).** This port connects the rear speakers in a 4-channel, 6-channel, or 8-channel audio configuration.
6. **Line In port (light blue).** This port connects the tape, CD, DVD player, or other audio sources.
7. **Line Out port (lime).** This port connects a headphone or a speaker. In 4-channel and 6-channel, and 8-channel configurations, the function of this port becomes Front Speaker Out.
8. **Microphone port (pink).** This port connects a microphone.
9. **Side Speaker Out port (gray).** This port connects the side speaker in an 8-channel audio configuration.



Refer to the audio configuration table on the next page for the function of the audio ports in 2, 4, 6, or 8-channel configuration.

## Audio 2, 4, 6, or 8-channel configuration

Port	Headset 2-channel	4-channel	6-channel	8-channel
Light Blue	Line In	Line in	Line in	Line in
Lime	Line Out	Front Speaker Out	Front Speaker Out	Front Speaker Out
Pink	Mic In	Mic In	Mic in	Mic in
Orange	-	-	Center/Subwoofer	Center/Subwoofer
Black	-	Rear Speaker Out	Rear Speaker Out	Rear Speaker Out
Gray	-	-	-	Side Speaker Out

- USB 2.0 ports 1 and 2.** These two 4-pin Universal Serial Bus (USB) ports are available for connecting USB 2.0 devices.
- USB 2.0 ports 3 and 4.** These two 4-pin Universal Serial Bus (USB) ports are available for connecting USB 2.0 devices.
- Optical S/PDIF Out port.** This port connects an external audio output device via an optical S/PDIF cable.
- COM port.** This 9-pin COM1 port is for pointing devices or other serial devices.
- PS/2 Keyboard port (purple).** This port is for a PS/2 keyboard.

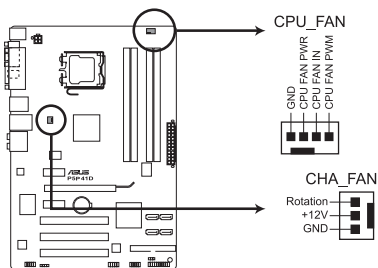
### 1.10.2 Internal connectors

#### 1. CPU and chassis fan connectors (4-pin CPU\_FAN, 3-pin CHA\_FAN)

These fan connectors support a cooling fan of 350mA~740mA (8.88W max.) or a total of 1A~2.22A (26.64W max.) at +12V. Connect the fan cables to the fan connectors on the motherboard, ensuring that the black wire of each cable matches the ground pin of the connector.



Do not forget to connect the fan cables to the fan connectors. Insufficient air flow inside the system may damage the motherboard components. These are not jumpers! Do not place jumper caps on the fan connectors!



**P5P41D fan connectors**

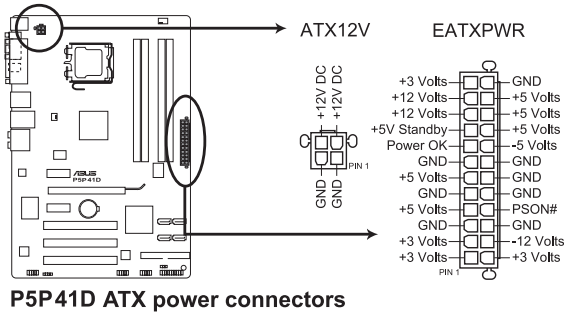


Only the 4-pin CPU fan connector supports the ASUS Q-FAN feature.



## 2. ATX power connectors (24-pin EATXPWR, 4-pin ATX12V)

These connectors are for ATX power supply plugs. The power supply plugs are designed to fit these connectors in only one orientation. Find the proper orientation and push down firmly until the connectors completely fit.



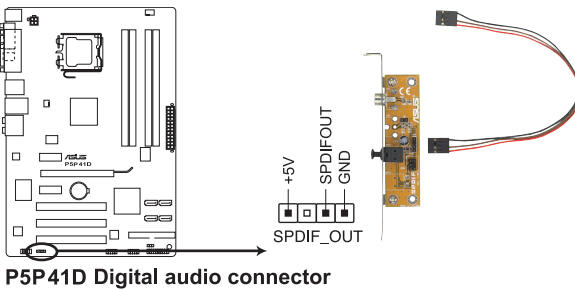
**P5P41D ATX power connectors**



- For a fully configured system, we recommend that you use a power supply unit (PSU) that complies with ATX 12 V Specification 2.0 (or later version) and provides a minimum power of 400 W.
- Do not forget to connect the 4-pin ATX12V power plug. Otherwise, the system will not boot.
- We recommend that you use a PSU with a higher power output when configuring a system with more power-consuming devices or when you intend to install additional devices. The system may become unstable or may not boot up if the power is inadequate.

## 3. Digital audio connector (4-1 pin SPDIF\_OUT)

This connector is for an additional Sony/Philips Digital Interface (S/PDIF) port. Connect the S/PDIF Out module cable to this connector, then install the module to a slot opening at the back of the system chassis.



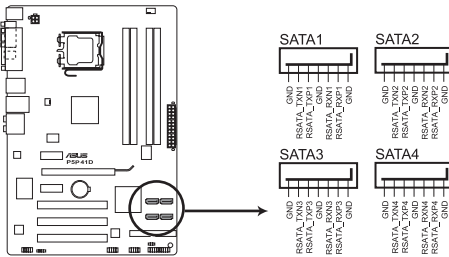
**P5P41D Digital audio connector**



The S/PDIF module is purchased separately.

#### 4. Serial ATA connectors (7-pin SATA1-4)

These connectors are for the Serial ATA signal cables for Serial ATA hard disk drives.



**P5P41D SATA connectors**



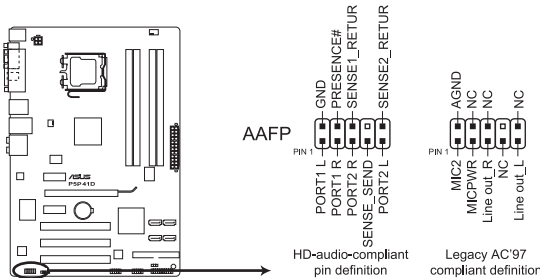
---

Install the Windows® XP Service Pack 2 or later version before using Serial ATA.

---

#### 5. Front panel audio connector (10-1 pin AAFP)

This connector is for a chassis-mounted front panel audio I/O module that supports either HD Audio or legacy AC'97 audio standard. Connect one end of the front panel audio I/O module cable to this connector.



**P5P41D Analog front panel connector**



- We recommend that you connect a high-definition front panel audio module to this connector to avail of the motherboard's high-definition audio capability.
  - If you want to connect a high-definition front panel audio module to this connector, set the **Front Panel Type** item in the BIOS setup to **[HD Audio]**. If you want to connect an AC'97 front panel audio module to this connector, set the item to **[AC97]**. By default, this connector is set to **[HD Audio]**. See section 2.4.3 **Chipset** for details.
-

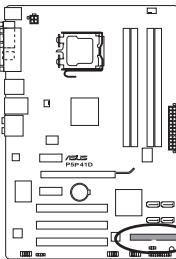
## 6. IDE connector (40-pin PRI\_IDE)

The onboard IDE connector is for the Ultra DMA 100/66/33 signal cable. There are three connectors on each Ultra DMA 100/66/33 signal cable: blue, black, and gray. Connect the blue connector to the motherboard's IDE connector, then select one of the following modes to configure your device.

	Drive jumper setting	Mode of device(s)	Cable connector
Single device	Cable-Select or Master	-	Black
Two devices	Cable-Select	Master	Black
		Slave	Gray
	Master	Master	Black or gray
		Slave	



- Pin 20 on the IDE connector is removed to match the covered hole on the Ultra DMA cable connector. This prevents incorrect insertion when you connect the IDE cable.
- Use the 80-conductor IDE cable for Ultra DMA 100/66/33 IDE devices.



**P5P41D IDE connector**

PRI\_IDE



PIN1

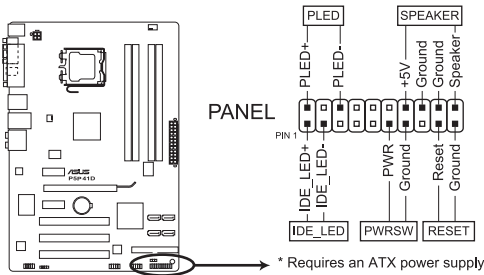
**NOTE:** Orient the red markings on the IDE ribbon cable to PIN 1.



If any device jumper is set as "Cable-Select," ensure that all other device jumpers have the same setting.

## 7. System panel connector (20-8 pin PANEL)

This connector supports several chassis-mounted functions.

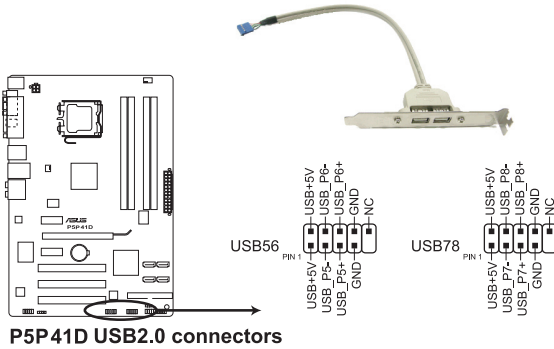


### P5P41D System panel connector

- **System power LED (2-pin PLED)**  
This 2-pin connector is for the system power LED. Connect the chassis power LED cable to this connector. The system power LED lights up when you turn on the system power, and blinks when the system is in sleep mode.
- **Hard disk drive activity LED (2-pin IDE\_LED)**  
This 2-pin connector is for the HDD Activity LED. Connect the HDD Activity LED cable to this connector. The IDE LED lights up or flashes when data is read from or written to the HDD.
- **Power/Soft-off button (2-pin PWRSW)**  
This 2-pin connector is for the system power button. Pressing the power button turns the system ON or puts the system in SLEEP or SOFT-OFF mode depending on the BIOS settings. Pressing the power switch for more than four seconds while the system is ON turns the system OFF.
- **Reset button (2-pin RESET)**  
This 2-pin connector is for the chassis-mounted reset button for system reboot without turning off the system power.
- **System warning speaker (2-pin SPEAKER)**  
This 4-pin connector is for the chassis-mounted system warning speaker. The speaker allows you to hear system beeps and warnings.

## 8. USB connectors (10-1 pin USB56, USB78)

These connectors are for USB 2.0 ports. Connect the USB module cable to any of these connectors, then install the module to a slot opening at the back of the system chassis. These USB connectors comply with USB 2.0 specification that supports up to 480 Mbps connection speed.



Never connect a 1394 cable to the USB connectors. Doing so will damage the motherboard!



The USB module cable is purchased separately.

## 1.11 Software support

### 1.11.1 Installing an operating system

This motherboard supports Windows® XP/Vista Operating Systems (OS). Always install the latest OS version and corresponding updates to maximize the features of your hardware.



- Motherboard settings and hardware options vary. Refer to your OS documentation for detailed information.
- Ensure that you install Windows® XP Service Pack 3 / Windows® Vista Service Pack 1 before installing the drivers for better compatibility and system stability.

### 1.11.2 Support DVD information

The Support DVD that comes with the motherboard package contains the drivers, software applications, and utilities that you can install to avail all motherboard features.



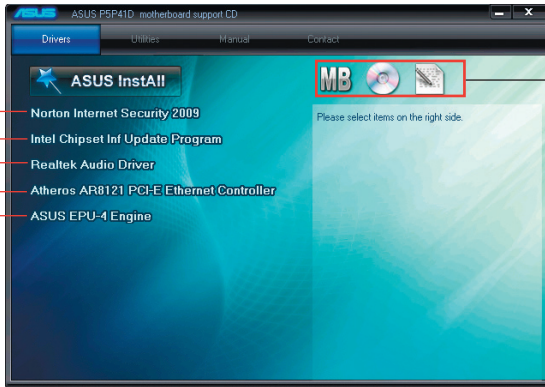
The contents of the Support DVD are subject to change at any time without notice. Visit the ASUS website at [www.asus.com](http://www.asus.com) for updates.

### To run the Support DVD

Place the Support DVD to the optical drive. The DVD automatically displays the Drivers menu if Autorun is enabled in your computer.



The following screen is for reference only.



Click an icon to display Support DVD/ motherboard information

Click an item to install



If Autorun is NOT enabled in your computer, browse the contents of the Support DVD to locate the file ASSETUP.EXE from the BIN folder. Double-click the ASSETUP.EXE to run the DVD.

# Chapter 2

## BIOS information

### 2.1 Managing and updating your BIOS



---

Save a copy of the original motherboard BIOS file to a USB flash disk in case you need to restore the BIOS in the future. Copy the original motherboard BIOS using the ASUS Update utility.

---

#### 2.1.1 ASUS Update utility

The ASUS Update is a utility that allows you to manage, save, and update the motherboard BIOS in Windows® environment.



- ASUS Update requires an Internet connection either through a network or an Internet Service Provider (ISP).
  - This utility is available in the support DVD that comes with the motherboard package.
- 

#### Installing ASUS Update

To install ASUS Update:

1. Place the support DVD in the optical drive. The **Drivers** menu appears.
2. Click the **Utilities** tab, then click **ASUS Update**.
3. Follow the onscreen instructions to complete the installation.



---

Quit all Windows® applications before you update the BIOS using this utility.

---

#### Updating the BIOS

To update the BIOS:

1. From the Windows® desktop, click **Start > Programs > ASUS > ASUSUpdate > ASUSUpdate** to launch the ASUS Update utility.
2. From the dropdown list, select any of the updating process:

### Updating from the Internet

- a. Select **Update BIOS from the Internet**, then click **Next**.
- b. Select the ASUS FTP site nearest you to avoid network traffic, or click **Auto Select** then click **Next**.
- c. From the FTP site, select the BIOS version that you wish to download then click **Next**.



---

The ASUS Update utility is capable of updating itself through the Internet. Always update the utility to avail all its features.

---

### Updating from a BIOS file

- a. Select **Update BIOS from a file**, then click **Next**.
  - b. Locate the BIOS file from the **Open** window, then click **Open**.
3. Follow the onscreen instructions to complete the updating process.

## 2.1.2 ASUS EZ Flash 2 utility

The ASUS EZ Flash 2 feature allows you to update the BIOS without using an OS-based utility.



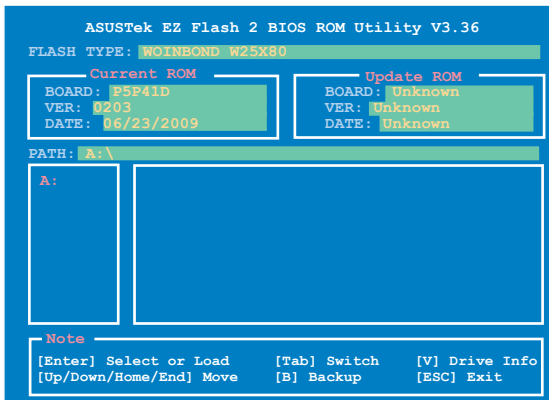
---

Before you start using this utility, download the latest BIOS file from the ASUS website at [www.asus.com](http://www.asus.com).

---

To update the BIOS using EZ Flash 2:

1. Insert the USB flash disk that contains the latest BIOS file to the USB port, then launch EZ Flash 2 in any of these two ways:
  - Press **<Alt> + <F2>** during POST to display the following:





- Enter the BIOS setup program. Go to the **Tools** menu to select **EZ Flash 2** and press **<Enter>** to enable it.  
Press **<Tab>** to switch between drives until the correct BIOS file is found.
2. When the correct BIOS file is found, EZ Flash 2 performs the BIOS update process and automatically reboots the system when done.



- Only a USB flash disk with **FAT 32/16** format and single partition can support the ASUS EZ Flash 2 utility.
- Do not shut down or reset the system while updating the BIOS to prevent system boot failure!

### 2.1.3 ASUS CrashFree BIOS 3 utility

The ASUS CrashFree BIOS 3 is an auto recovery tool that allows you to restore the BIOS file when it fails or gets corrupted during the updating process. You can update a corrupted BIOS file using the motherboard support DVD or a USB flash disk that contains the updated BIOS file.



- Prepare the motherboard support DVD or the USB flash disk containing the updated motherboard BIOS before using this utility.
- Always connect the SATA cable to the SATA1 / SATA 2 connector. Otherwise, the utility will not function.

## Recovering the BIOS

To recover the BIOS:

1. Turn on the system.
2. Insert the support DVD or USB flash disk containing the BIOS file to the optical drive or USB port.
3. The utility displays the following message and automatically checks the support DVD or USB flash disk for the BIOS file.

```
Bad BIOS checksum. Starting BIOS recovery...
Checking for CD-ROM...
CD-ROM not found!
Checking for USB Device...
```

When found, the utility reads the BIOS file and starts erasing the corrupted BIOS file.

```
Bad BIOS checksum. Starting BIOS recovery...
Checking for USB Device...
USB Device found.
Reading file "P5P41D.ROM". Completed.
Start Erasing...\
```

#### 4. Restart the system after the utility completes the updating process.



- Only a USB flash disk with FAT 32/16 format and single partition can support ASUS CrashFree BIOS 3. The device size should be smaller than 8GB.
- DO NOT shut down or reset the system while updating the BIOS! Doing so can cause system boot failure!



The recovered BIOS may not be the latest BIOS version for this motherboard. Download the latest BIOS file from the ASUS website at [www.asus.com](http://www.asus.com).

## 2.2 BIOS setup program

This motherboard supports a programmable Serial Peripheral Interface (SPI) chip that you can update using the provided utility described in section “2.1 Managing and updating your BIOS.”

Use the BIOS Setup program when you are installing a motherboard, reconfiguring your system, or prompted to “Run Setup.” This section explains how to configure your system using this utility.

Even if you are not prompted to use the Setup program, you can change the configuration of your computer in the future. For example, you can enable the security password feature or change the power management settings. This requires you to reconfigure your system using the BIOS Setup program so that the computer can recognize these changes and record them in the CMOS RAM of the SPI chip.

The SPI chip on the motherboard stores the Setup utility. When you start up the computer, the system provides you with the opportunity to run this program. Press **<Del>** during the Power-On Self-Test (POST) to enter the Setup utility. Otherwise, POST continues with its test routines.

If you wish to enter Setup after POST, reboot the system by doing any of the following procedures:

- Restart using the OS standard shutdown procedure.
- Press **<Ctrl>+<Alt>+<Del>** simultaneously.
- Press the reset button on the system chassis.
- Press the power button to turn the system off then back on.



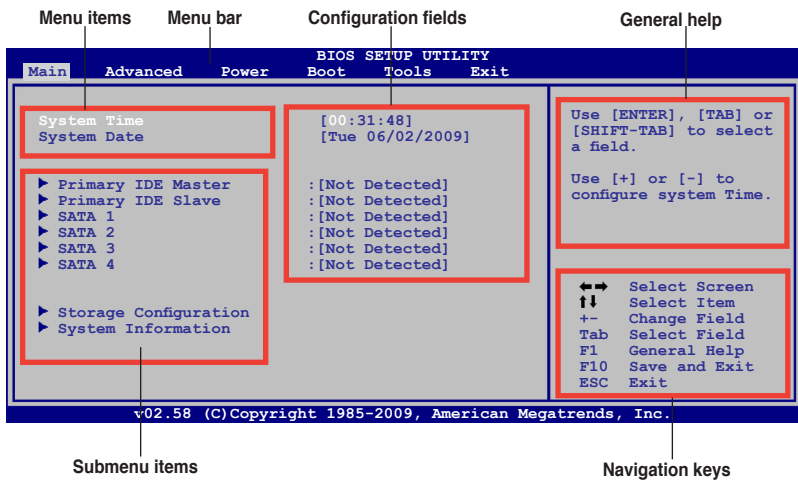
Using the **power button**, **reset button**, or the **<Ctrl>+<Alt>+<Del>** keys to force reset from a running operating system can cause damage to your data or system. We recommend to always shut down the system properly from the operating system.

The Setup program is designed to make it as easy to use as possible. Being a menu-driven program, it lets you scroll through the various submenus and make your selections from the available options using the navigation keys.



- The default BIOS settings for this motherboard apply for most conditions to ensure optimum performance. If the system becomes unstable after changing any BIOS settings, load the default settings to ensure system compatibility and stability. Select the **Load Setup Defaults** item under the Exit Menu. See section **2.8 Exit Menu**.
- The BIOS setup screens shown in this section are for reference purposes only, and may not exactly match what you see on your screen.
- Visit the ASUS website at [www.asus.com](http://www.asus.com) to download the latest BIOS file for this motherboard.

## 2.2.1 BIOS menu screen



## 2.2.2 Menu bar

The menu bar on top of the screen has the following main items:

- Main** For changing the basic system configuration.
- Advanced** For changing the advanced system settings.
- Power** For changing the advanced power management (APM) configuration.
- Boot** For changing the system boot configuration.
- Tools** For configuring options for special functions.
- Exit** For selecting the exit options and loading default settings.

To select an item on the menu bar, press the right or left arrow key on the keyboard until the desired item is highlighted.

### 2.2.3 Navigation keys

At the bottom right corner of a menu screen are the navigation keys for that particular menu. Use the navigation keys to select items in the menu and change the settings.



---

Some of the navigation keys differ from one screen to another.

---

### 2.2.4 Menu items

The highlighted item on the menu bar displays the specific items for that menu. For example, selecting Main shows the Main menu items.

The other items (Advanced, Power, Boot, Tools, and Exit) on the menu bar have their respective menu items.

### 2.2.5 Submenu items

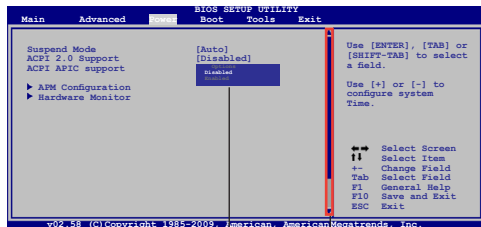
A solid triangle before each item on any menu screen means that the item has a submenu. To display the submenu, select the item and press <Enter>.

### 2.2.6 Configuration fields

These fields show the values for the menu items. If an item is user-configurable, you can change the value of the field opposite the item. You cannot select an item that is not user-configurable. A configurable field is enclosed in brackets, and is highlighted when selected. To change the value of a field, select it then press <Enter> to display a list of options. Refer to 2.2.7 Pop-up window.

### 2.2.7 Pop-up window

Select a menu item then press <Enter> to display a pop-up window with the configuration options for that item.



Pop-up window

Scroll bar

### 2.2.8 Scroll bar

A scroll bar appears on the right side of a menu screen when there are items that do not fit on the screen. Press the <Up> / <Down> arrow keys or <Page Up> / <Page Down> keys to display the other items on the screen.

### 2.2.9 General help

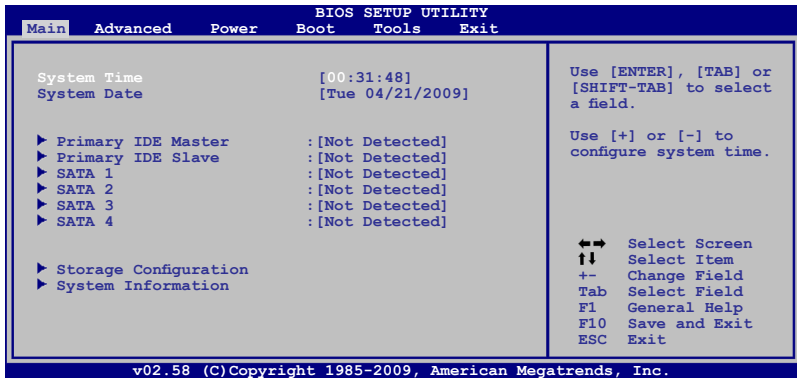
At the top right corner of the menu screen is a brief description of the selected item.

## 2.3 Main menu

When you enter the BIOS Setup program, the **Main** menu screen appears, giving you an overview of the basic system information.



Refer to section **2.2.1 BIOS menu screen** for information on the menu screen items and how to navigate through them.



### 2.3.1 System Time [xx:xx:xx]

Allows you to set the system time.

### 2.3.2 System Date [Day xx/xx/xxxx]

Allows you to set the system date.

### 2.3.3 Primary IDE Master/Slave and SATA 1-4

While entering Setup, the BIOS automatically detects the presence of IDE/SATA devices. There is a separate sub-menu for each IDE/SATA device. Select a device item then press <Enter> to display the IDE/SATA device information.

The BIOS automatically detects the values opposite the dimmed items (Device, Vendor, Size, LBA Mode, Block Mode, PIO Mode, Async DMA, Ultra DMA, and SMART Monitoring). These values are not user-configurable. These items show **Not Detected** if no IDE/ Serial ATA device is installed in the system.

#### Type [Auto]

Selects the type of IDE drive. Setting to [Auto] allows automatic selection of the appropriate IDE device type. Select [CDROM] if you are specifically configuring a CD-ROM drive. Select [ARMD] (ATAPI Removable Media Device) if your device is either a ZIP, LS-120, or MO drive. Configuration options: [Not Installed] [Auto] [CDROM] [ARMD]



This item does not appear if you select SATA 1/2/3/4 devices.

### LBA/Large Mode [Auto]

Enables or disables the LBA mode. Setting to **[Auto]** enables the LBA mode if the device supports this mode, and if the device was not previously formatted with LBA mode disabled. Configuration options: [Disabled] [Auto]

### Block (Multi-sector Transfer) M [Auto]

Enables or disables data multi-sectors transfers. When set to **[Auto]**, the data transfer from and to the device occurs multiple sectors at a time if the device supports multi-sector transfer feature. When set to **[Disabled]**, the data transfer from and to the device occurs one sector at a time. Configuration options: [Disabled] [Auto]

### PIO Mode [Auto]

Selects the PIO mode. Configuration options: [Auto] [0] [1] [2] [3] [4]

### DMA Mode [Auto]

Selects the DMA mode. Configuration options: [Auto]

### SMART Monitoring [Auto]

Sets the Smart Monitoring, Analysis, and Reporting Technology. Configuration options: [Auto] [Disabled] [Enabled]

### 32Bit Data Transfer [Enabled]

Enables or disables 32-bit data transfer. Configuration options: [Disabled] [Enabled]

## 2.3.4 Storage Configuration

The items in this menu allow you to set or change the configurations for the SATA devices installed in the system. Select an item then press **<Enter>** if you want to configure the item.

### ATA/IDE Configuration [Enhanced]

Allows you to set the ATA/IDE configuration. Configuration options: [Disabled] [Compatible] [Enhanced]



---

The following item appears only when you set the **ATA/IDE Configuration** item to **[Enhanced]**.

---

#### *Enhanced Mode Support On [S-ATA]*

Configuration options: [S-ATA+P-ATA] [S-ATA] [P-ATA]



---

The following item appears only when you set the **ATA/IDE Configuration** item to **[Compatible]**.

---

#### *Legacy IDE Channels [PATA Pri, SATA Sec]*

Configuration options: [SATA Only] [PATA Pri, SATA Sec] [PATA Only]

### IDE Detect Time Out (Sec) [35]

Selects the time out value for detecting ATA/ATAPI devices. Configuration options: [0] [5] [10] [15] [20] [25] [30] [35]

### 2.3.5 System Information

This menu gives you an overview of the general system specifications. The BIOS automatically detects the items in this menu.

#### Bios Information

Displays the auto-detected BIOS information.

#### Processor

Displays the auto-detected CPU specification.

#### System Memory

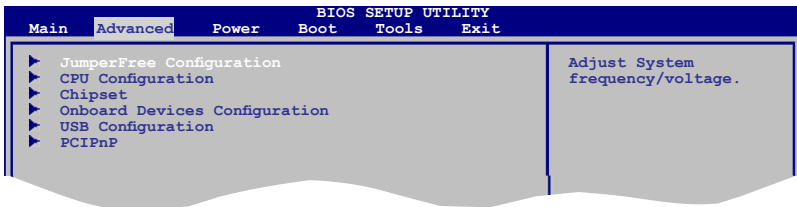
Displays the auto-detected system memory.

## 2.4 Advanced menu

The **Advanced** menu items allow you to change the settings for the CPU and other system devices.



Take caution when changing the settings of the Advanced menu items. Incorrect field values can cause the system to malfunction.



### 2.4.1 JumperFree Configuration

The items in this menu allow you to adjust the system frequency/voltage.

#### AI Overclocking [Auto]

Allows selection of CPU overclocking options to achieve desired CPU internal frequency. Select either one of the preset overclocking configuration options:

**Manual** - allows you to individually set overclocking parameters.

**Auto** - loads the optimal settings for the system.

**Overclock Profile** - loads overclocking profiles with optimal parameters for stability when overclocking.



The following items appear only when you set the **AI Overclocking** item to **[Manual]**.

#### CPU Frequency [xxx]

Displays the frequency sent by the clock generator to the system bus and PCI bus. The value of this item is auto-detected by the BIOS. Use the <+> and <-> keys to adjust the CPU frequency. You can also type the desired CPU frequency using the numeric keypad. The values range from 200 to 800. Refer to the table below for the correct Front Side Bus and CPU External Frequency settings.

#### FSB / CPU External Frequency Synchronization

Front Side Bus	CPU External Frequency
FSB 1600	400 MHz
FSB 1333	333 MHz
FSB 1066	266 MHz
FSB 800	200 MHz

#### PCI Express Frequency [xxx]

Allows you to adjust the PCI Express frequency. The values range from 90 to 150.



The following item appears only when you set the AI Overclocking item to **[Overclock Profile]**.

#### Overclock Options [Overclock 5%]

Allows you to select the overclock options. Configuration options: [Overclock 5%] [Overclock 10%] [Overclock 15%] [Overclock 20%] [Overclock 30%] [Test Mode]

## DRAM Frequency [Auto]

Allows you to set the DDR2 operating frequency. Configuration options: [Auto] [667 MHz] [800 MHz] [1067MHz]



- The configuration options vary with different CPUs.
- The following table shows the DRAM Frequency options that appear when the FSB value is 1600, 1333, 1066, and 800.

FSB	DRAM Frequency							
	Auto	667MHz	800MHz	960MHz	1000MHz	1067MHz	1100MHz	1200MHz
1600	v		v	v	v			v
1333	v	v	v		v		v	
1066	v	v	v			v		
800	v	v	v					



Selecting a very high DRAM frequency may cause the system to become unstable! If this happens, revert to the default setting.

## Memory Voltage [Auto]

Allows you to adjust Memory Over voltage and each step is 0.01500V. Valid value is from 1.50000V to 2.44500V.



### **NB Over Voltage [Auto]**

Manually set Northbridge Chipset Voltage or set to Auto for safe mode. Press <+> / <-> to adjust the value. Configuration options: [Auto] [1.125V] [1.175V] [1.225V] [1.275V]

### **SB 1.5V Voltage [1.5V]**

Manually set Southbridge Chipset Voltage. Configuration options: [1.5V] [1.6V]

### **CPU VTT [1.2V]**

Manually set the FSB Termination Voltage. Configuration options: [1.2V] [1.3V]

### **CPU Over Voltage [Auto]**

Allows you to adjust the CPU over voltage. Configuration options: [Auto] [+50mV] [+100mV] [+150mV]



Setting a very high voltage may damage the component permanently, and setting a very low voltage may cause the system to become unstable.

---

### **Auto PSI [Enabled]**

Allows you to enable or disable the Auto PSI mode.  
Configuration options: [Disabled] [Enabled]

## **2.4.2 CPU Configuration**

The items in this menu show the CPU-related information that the BIOS automatically detects.

### **Ratio CMOS Setting [Auto]**

Sets the ratio between CPU core clock and the FSB frequency. Press <+> / <-> to adjust the value.



If an invalid ratio is set in CMOS, then the actual and set values may differ.

---

### **C1E Support [Enabled]**

Allows you to enable or disable C1E Support. Configuration options: [Disabled] [Enabled]

### **Max CPUID Value Limit [Disabled]**

Setting this item to **[Enabled]** allows legacy operating systems to boot even without support for CPUs with extended CPUID functions. Configuration options: [Disabled] [Enabled]

### **Intel® Virtualization Tech [Enabled]**

Enables or disables Intel® Virtualization Technology. Virtualization enhanced by Intel® Virtualization Technology allows a platform to run multiple operating systems and applications in independent partitions. With virtualization, one computer system can function as multiple virtual systems. Configuration options: [Enabled] [Disabled]

### **CPU TM function [Enabled]**

Enables or disables Intel® CPU Thermal Monitor (TM) function, a CPU overheating protection function. When enabled, the CPU core frequency and voltage are reduced when the CPU overheats. Configuration options: [Disabled] [Enabled]

### **Execute-Disable Bit Capability [Enabled]**

Allows you to enable or disable the No-Execution Page Protection Technology. Setting this item to **[Disabled]** forces the XD feature flag to always return to zero (0). Configuration options: [Disabled] [Enabled]



---

The following item appears only when you installed an Intel® CPU that supports the Enhanced Intel® SpeedStep® Technology (EIST).

---

### **Intel(R) SpeedStep(TM) Tech [Enabled]**

Allows you to use the Enhanced Intel® SpeedStep® Technology. When set to [Enabled], you can adjust the system power settings in the operating system to use the EIST feature. Set this item to [Disabled] if you do not want to use the EIST. Configuration options: [Enabled] [Disabled]

## **2.4.3 Chipset**

The **Chipset** menu allows you to change the advanced chipset settings. Select an item then press **<Enter>** to display the submenu.

### **North Bridge Configuration**

#### **Memory Remap Feature [Enabled]**

Allows you to enable or disable the remapping of the overlapped PCI memory above the total physical memory. Enable this option only when you install 64-bit operating system. Configuration options: [Disabled] [Enabled]

#### **Configure DRAM Timing by SPD [Enabled]**

Allows you to enable or disable configuring the DRAM Timing by SPD. Configuration options: [Enabled] [Disabled]

#### **Initiate Graphic Adapter [PEG/PCI]**

Allows you to decide which graphics controller to use as the primary boot device. Configuration options: [PCI/PEG] [PEG/PCI]

### **South Bridge Configuration**

#### **Audio Controller [Enabled]**

Allows you to set the audio controller. Configuration options: [Enabled] [Disabled]

##### *Front Panel Type [HD Audio]*

Allows you to select the front panel support type. If High Definition Audio Front Panel used, please set HD Audio mode. Configuration options: [AC97] [HD Audio]

## 2.4.4 Onboard Devices Configuration

### Onboard Gigabit LAN [Enabled]

Allows you to enable or disable the onboard LAN controller.

Configuration options: [Enabled] [Disabled]

#### *Onboard LAN Boot ROM [Disabled]*

Allows you to enable or disable the boot ROM in the onboard LAN controller. This item appears only when the Onboard Gigabit LAN item is set to [Enabled] or [Auto].

Configuration options: [Disabled] [Enabled]

### Serial Port1 Address [3F8/IRQ4]

Allows you to select the Serial Port1 base address.

Configuration options: [Disabled] [3F8/IRQ4] [2F8/IRQ3] [3E8/IRQ4] [2E8/IRQ3]

### Parallel Port Address [378]

Allows you to select the Parallel Port base addresses. Configuration options: [Disabled] [378] [278] [3BC]

### Parallel Port Mode [ECP]

Allows you to select the Parallel Port mode.

Configuration options: [Normal] [Bi-Directional] [EPP] [ECP]

#### *ECP Mode DMA Channel [DMA3]*

Appears only when the Parallel Port Mode is set to [ECP]. This item allows you to set the Parallel Port ECP DMA. Configuration options: [DMA0] [DMA1] [DMA3]

#### *EPP Version [1.9]*

Appears only when the Parallel Port Mode is set to [EPP].

Configuration options: [1.9] [1.7]

#### *Parallel Port IRQ [IRQ7]*

Allows you to select parallel port IRQ. Configuration options: [IRQ5] [IRQ7]

## 2.4.5 USB Configuration

The items in this menu allows you to change the USB-related features. Select an item then press **<Enter>** to display the configuration options.



---

The Module Version and USB Devices Enabled items show the auto-detected values. If no USB device is detected, the item shows **None**.

---

### USB Functions [Enabled]

Allows you to disable or enable the USB functions. Configuration options: [Disabled] [Enabled]

### USB 2.0 Controller [Enabled]

Allows you to enable or disable USB 2.0 controller.

Configuration options: [Enabled] [Disabled]

### Legacy USB Support [Auto]

Allows you to enable or disable support for Legacy USB storage devices, including USB flash drives and USB hard drives. Setting to **[Auto]** allows the system to detect the presence of USB devices at startup. If detected, the USB controller legacy mode is enabled. If no USB device is detected, the legacy USB support is disabled. Configuration options: [Disabled] [Enabled] [Auto]

### USB 2.0 Controller Mode [HiSpeed]

Allows you to configure the USB 2.0 controller in HiSpeed (480Mbps) or Full Speed (12Mbps). Configuration options: [FullSpeed] [HiSpeed]



---

The following items may only appear when a USB storage device is plugged.

---

## USB Mass Storage Device Configuration

### USB Mass Storage Reset Delay [20 Sec]

Allows you to set the maximum time that the BIOS waits for the USB storage device to initialize. Configuration options: [10 Sec] [20 Sec] [30 Sec] [40 Sec]

### Emulation Type [Auto]

Allows you to set the emulation type. Configuration options: [Auto] [Floppy] [Forced FDD] [Hard Disk] [CDROM]

## 2.4.6 PCI PnP

The PCI PnP menu items allow you to change the advanced settings for PCI/PnP devices. The menu includes setting IRQ and DMA channel resources for either PCI/PnP or legacy ISA devices, and setting the memory size block for legacy ISA devices.



---

Take caution when changing the settings of the PCI PnP menu items. Incorrect field values can cause the system to malfunction.

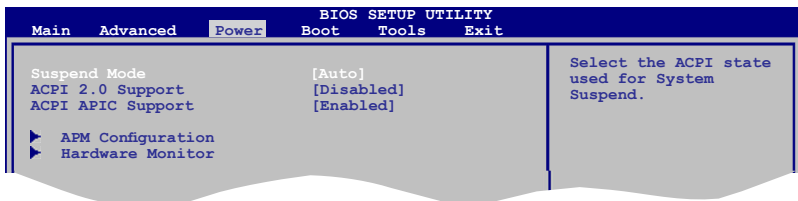
---

### Plug and Play O/S [No]

When set to [No], BIOS configures all the devices in the system. When set to [Yes] and if you install a Plug and Play operating system, the operating system configures the Plug and Play devices not required for boot. Configuration options: [No] [Yes]

## 2.5 Power menu

The Power menu items allow you to change the settings for the Advanced Power Management (APM). Select an item then press <Enter> to display the configuration options.



### 2.5.1 Suspend Mode [Auto]

Allows you to select the Advanced Configuration and Power Interface (ACPI) state to be used for system suspend. Configuration options: [S1 (POS) Only] [S3 Only] [Auto]

**[S1(POS) Only]** - Enables the system to enter the ACPI S1 (Power on Suspend) sleep state. In S1 sleep state, the system appears suspended and stays in a low power mode. The system can be resumed at any time.

**[S3 Only]** - Enables the system to enter the ACPI S3 (Suspend to RAM) sleep state (default). In S3 sleep state, the system appears to be off and consumes less power than in the S1 state. When signaled by a wake-up device or event, the system resumes to its working state exactly where it was left off.

**[Auto]** - Detected by OS.

### 2.5.2 ACPI 2.0 Support [Enabled]

Allows you to add more tables for Advanced Configuration and Power Interface (ACPI) 2.0 specifications. Configuration options: [Disabled] [Enabled]

### 2.5.3 ACPI APIC Support [Enabled]

Allows you to enable or disable the Advanced Configuration and Power Interface (ACPI) support in the Application-Specific Integrated Circuit (ASIC). When set to Enabled, the ACPI APIC table pointer is included in the RSDT pointer list. Configuration options: [Disabled] [Enabled]

### 2.5.4 APM Configuration

#### Restore on AC Power Loss [Power Off]

When set to **[Power Off]**, the system goes into off state after an AC power loss. When set to **[Power On]**, the system goes on after an AC power loss. When set to **[Last State]**, the system goes into either off or on state, whatever the system state was before the AC power loss. Configuration options: [Power Off] [Power On] [Last State]

#### Power On By RTC Alarm [Disabled]

Allows you to enable or disable RTC to generate a wake event. When this item is set to Enabled, the items RTC Alarm Date, RTC Alarm Hour, RTC Alarm Minute, and RTC Alarm Second appear with set values. Configuration options: [Disabled] [Enabled]

### **Power On By External Modem [Disabled]**

This allows either settings of [Enabled] or [Disabled] for powering up the computer when the external modem receives a call while the computer is in Soft-off mode. Configuration options: [Disabled] [Enabled]

### **Power On By PCI (E) Devices [Disabled]**

When set to [Enabled], this parameter allows you to wake the system through a PCI Express/PCI card. This feature requires an ATX power supply that provides at least 1A on the +5VSB lead. Configuration options: [Disabled] [Enabled]

### **Power On By PS/2 Keyboard [Disabled]**

Allows you to use specific keys on the keyboard to turn on the system. This feature requires an ATX power supply that provides at least 1A on the +5VSB lead. Configuration options: [Disabled] [Space Bar] [Ctrl-Esc] [Power Key]

### **Power On By PS/2 Mouse [Disabled]**

When set to [Enabled], this parameter allows you to use the PS/2 mouse to turn on the system. This feature requires an ATX power supply that provides at least 1A on the +5VSB lead. Configuration options: [Disabled] [Enabled]

## **2.5.5 Hardware Monitor**

### **CPU Temperature [xxx°C/xxx°F] or [Ignored]**

### **MB Temperature [xxx°C/xxx°F] or [Ignored]**

The onboard hardware monitor automatically detects and displays the motherboard and CPU temperatures. Select **Ignored** if you do not wish to display the detected temperatures.

### **CPU Fan Speed [xxxxRPM] or [Ignored]**

The onboard hardware monitor automatically detects and displays the CPU fan speed in rotations per minute (RPM). If the fan is not connected to the motherboard, the field shows **N/A**. Select **Ignored** if you do not wish to display the detected speed.

### **CPU Q-Fan Control [Disabled]**

Allows you to enable or disable the Q-Fan control. Configuration options: [Disabled] [Enabled]

### **Chassis Fan Speed [xxxxRPM] or [Ignored]**

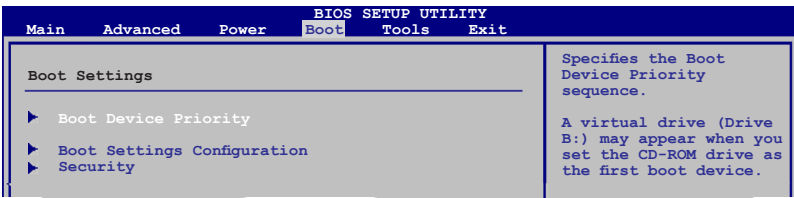
The onboard hardware monitor automatically detects and displays the chassis fan speed in rotations per minute (RPM). If the fan is not connected to the motherboard, the field shows **N/A**. Select **Ignored** if you do not wish to display the detected speed.

### **CPU Over Voltage, 3.3V Voltage, 5V Voltage, 12V Voltage [xxxV] or [Ignored]**

The onboard hardware monitor automatically detects the voltage output through the onboard voltage regulators.

## 2.6 Boot menu

The **Boot** menu items allow you to change the system boot options. Select an item then press **<Enter>** to display the sub-menu.



### 2.6.1 Boot Device Priority

#### 1st/2nd/3rd Boot Device

These items specify the boot device priority sequence from the available devices. The number of device items that appears on the screen depends on the number of devices installed in the system. Configuration options: [Removable Dev.] [Hard Drive] [ATAPI CD-ROM] [Disabled]



- To select the boot device during system startup, press **<F8>** when ASUS Logo appears.
- To access Windows® OS in Safe Mode, do any of the following:
  - Press **<F5>** when ASUS Logo appears.
  - Press **<F8>** after POST.

### 2.6.2 Boot Settings Configuration

#### Quick Boot [Enabled]

Enabling this item allows the BIOS to skip some power on self tests (POST) while booting to decrease the time needed to boot the system. When set to **[Disabled]**, BIOS performs all the POST items. Configuration options: [Disabled] [Enabled]

#### Full Screen Logo [Enabled]

This allows you to enable or disable the full screen logo display feature. Configuration options: [Disabled] [Enabled]



Set this item to **[Enabled]** to use the ASUS MyLogo2™ feature.

#### AddOn ROM Display Mode [Force BIOS]

Sets the display mode for option ROM. Configuration options: [Force BIOS] [Keep Current]

#### Bootup Num-Lock [On]

Allows you to select the power-on state for the NumLock. Configuration options: [Off] [On]

#### Wait For 'F1' If Error [Enabled]

When set to **Enabled**, the system waits for the F1 key to be pressed when error occurs. Configuration options: [Disabled] [Enabled]

## Hit 'DEL' Message Display [Enabled]

When set to **[Enabled]**, the system displays the message **Press DEL to run Setup** during POST. Configuration options: [Disabled] [Enabled]

### 2.6.3 Security

The **Security** menu items allow you to change the system security settings. Select an item then press **<Enter>** to display the configuration options.

#### Change Supervisor Password

Select this item to set or change the supervisor password. The **Supervisor Password** item on top of the screen shows the default **Not Installed**. After you set a password, this item shows **Installed**.

To set a Supervisor Password:

1. Select the **Change Supervisor Password** item and press **<Enter>**.
2. On the password box, key in a password containing up to six letters, or numbers, or both, then press **<Enter>**.
3. Confirm the password when prompted.

The message **Password Installed** appears after you successfully set your password.

To change the supervisor password, follow the same steps in setting a supervisor password.

To clear the supervisor password, select the **Change Supervisor Password** then press **<Enter>** twice. The message **Password uninstalled** appears.



---

If you forget your BIOS password, you can clear it by erasing the CMOS Real Time Clock (RTC) RAM. See section 1.9 **Jumpers** for information on how to erase the RTC RAM.

---

After you have set a supervisor password, the other items appear to allow you to change other security settings.

#### User Access Level [Full Access]

This item allows you to select the access restriction to the Setup items.

Configuration options: [No Access] [View Only] [Limited] [Full Access]

**[No Access]** - prevents user access to the Setup utility.

**[View Only]** - allows access but does not allow change to any field.

**[Limited]** - allows changes only to selected fields, such as Date and Time.

**[Full Access]** - allows viewing and changing all the fields in the Setup utility.

#### Change User Password

Select this item to set or change the user password. The **User Password** item on top of the screen shows the default **Not Installed**. After you set a password, this item shows **Installed**.

To set a User Password:

1. Select the **Change User Password** item and press **<Enter>**.
2. On the password box, key in a password containing up to six letters, or numbers, or both, then press **<Enter>**.
3. Confirm the password when prompted.

The message **Password Installed** appears after you set your password successfully.

To change the user password, follow the same steps in setting a user password.



## Clear User Password

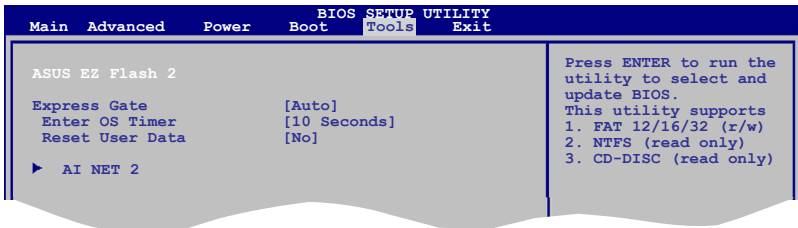
Select this item to clear the user password.

## Password Check [Setup]

When set to **[Setup]**, BIOS checks for user password when accessing the Setup utility. When set to **[Always]**, BIOS checks for user password both when accessing Setup and booting the system. Configuration options: [Setup] [Always]

## 2.7 Tools menu

The Tools menu items allow you to configure options for special functions. Select an item then press **<Enter>** to display the sub-menu.



### 2.7.1 ASUS EZ Flash 2

Allows you to run ASUS EZ Flash 2. When you press **<Enter>**, a confirmation message appears. Use the left/right arrow key to select between **[Yes]** or **[No]**, then press **<Enter>** to confirm your choice. Please see section 2.1.2 for details.

### 2.7.2 Express Gate [Auto]

Allows you to enable or disable the ASUS Express Gate feature. The ASUS Express Gate feature is a unique instant-on environment that provides quick access to the Internet browser and Skype. Configuration options: [Enabled] [Disabled] [Auto]

#### Enter OS Timer [10 Seconds]

Sets countdown duration that the system waits at the Express Gate's first screen before starting Windows or other installed OS. Choose **[Prompt User]** to stay at the first screen of Express Gate for user action. Configuration options: [Prompt User] [1 second] [3 seconds] [5 seconds] [10 seconds] [15 seconds] [20 seconds] [30 seconds]

#### Reset User Data [No]

Allows you to clear Express Gate's user data. Configuration options: [No] [Reset]

When setting this item to **[Reset]**, ensure to save the setting to the BIOS so that the user data will be cleared the next time you enter the Express Gate. User data includes the Express Gate's settings as well as any personal information stored by the web browser (bookmarks, cookies, browsing history, etc.). This is useful in the rare case where corrupt settings prevent the Express Gate environment from launching properly.



---

The first time wizard will run again when you enter the Express Gate environment after clearing its settings.

---

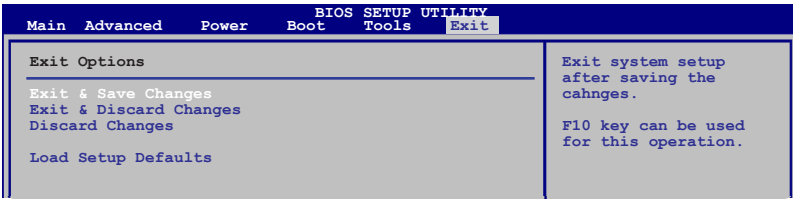
## 2.7.3 AI NET 2

### Check Atheros LAN cable [Disabled]

Enables or disables checking of the Atheros LAN cable during the Power-On Self-Test (POST). Configuration options: [Disabled] [Enabled]

## 2.8 Exit menu

The Exit menu items allow you to load the optimal or failsafe default values for the BIOS items, and save or discard your changes to the BIOS items.



Pressing **<Esc>** does not immediately exit this menu. Select one of the options from this menu or **<F10>** from the legend bar to exit.

### Exit & Save Changes

Once you are finished making your selections, choose this option from the Exit menu to ensure the values you selected are saved to the CMOS RAM. An onboard backup battery sustains the CMOS RAM so it stays on even when the PC is turned off. When you select this option, a confirmation window appears. Select **OK** to save changes and exit.

### Exit & Discard Changes

Select this option only if you do not want to save the changes that you made to the Setup program. If you made changes to fields other than System Date, System Time, and Password, the BIOS asks for a confirmation before exiting.

### Discard Changes

This option allows you to discard the selections you made and restore the previously saved values. After selecting this option, a confirmation appears. Select **OK** to discard any changes and load the previously saved values.

### Load Setup Defaults

This option allows you to load the default values for each of the parameters on the Setup menus. When you select this option or if you press **<F5>**, a confirmation window appears. Select **OK** to load default values. Select **Exit & Save Changes** or make other changes before saving the values to the non-volatile RAM.